

MAY 2021 CATALOG

... a light breeze

LYX
LUMINAIRES

LYX-luminaire

... creates a wide range of solar and low consumption LED lamps.
designed by Claude Robin.

Made in France, the outdoor lightings are subject to the most demanding constraints.

Pathway lights to illuminate an alley,
spots to brighten a tree,
floor lamps for garden lighting.

From ephemeral festive ambiance to more functional installations, each lamp contributes to the creation of a unique luminous universe.

Since 2013, LYX-Luminaire has been committed to a responsible approach

* Through Eco-design

From the pre-study stage, the products are designed with the intention of reducing material consumption as well as the energy required for manufacturing (Limit the number of welds, optimize cutting ...), to maximize the life of the product.

* The use of solar sources

Designed and developed in France by an independent engineering office, solar collectors are regularly optimized according to the latest technological advances .

The current components allow increasingly efficient yields.

* The use of low consumption LED sources

LED sources generate the highest efficiency. Miniaturized devices are perfectly integrated into steel envelopes, to provide direct and indirect lighting.

* Local manufacturing in France

The assumed choice of local manufacturing in France is part of our identity. We share with our ISO 9001 & ISO 3834 certified partner workshops, the recognition of our products.

* The durability of our repairable and scalable products

We are able to repair a damaged product or repaint a product faded over time. Our new lighting sources are compatible with our original models.

* The use of returnable dust covers ...

We manufacture dust covers, made of linen from France. Once returned, the dust covers are reused for our shipments.

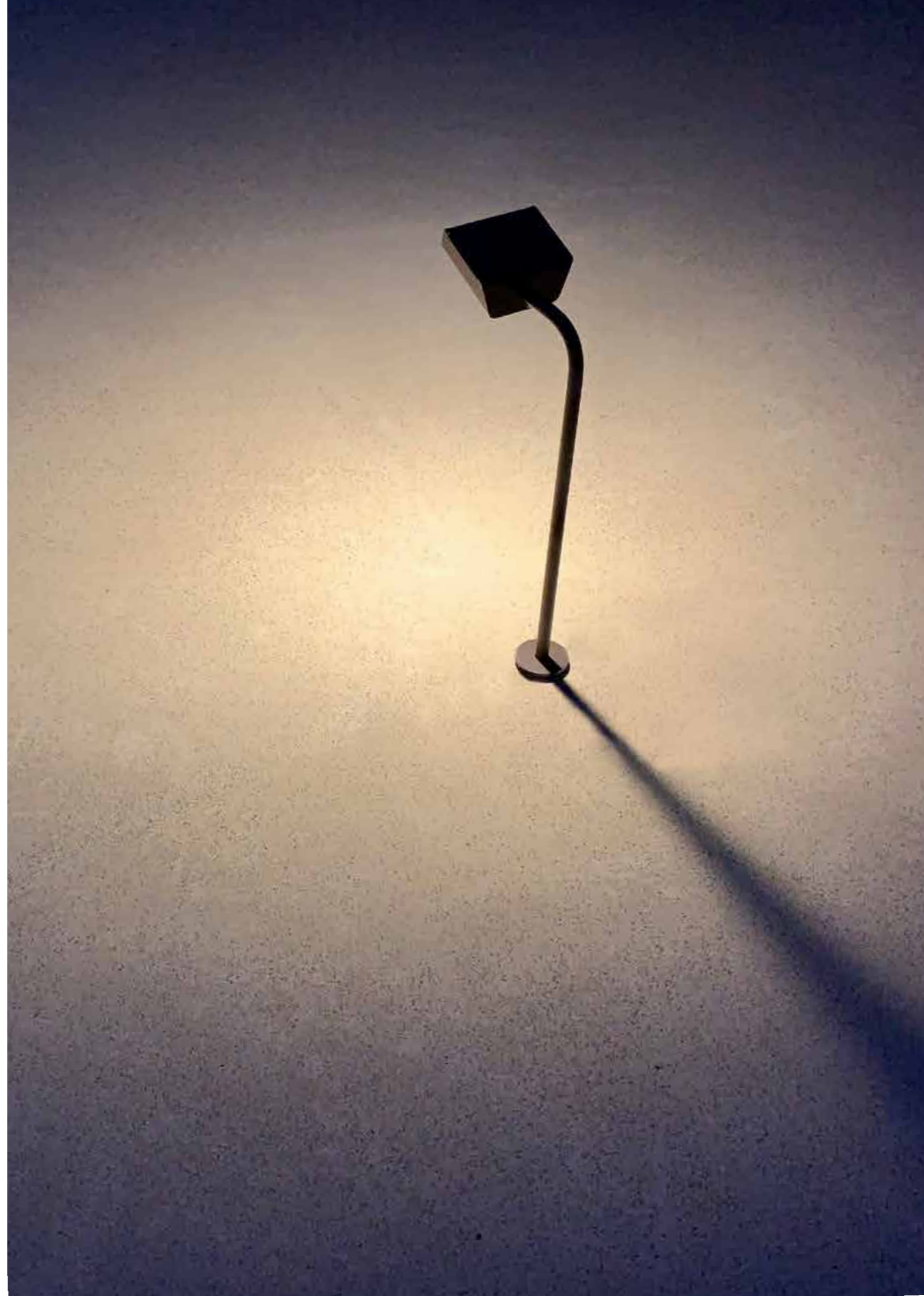
* ... and of reused packaging

We optimize the reuse of pallets, cartons and multi-material shims from our suppliers with the goal of achieving zero packaging waste.

Low consumption

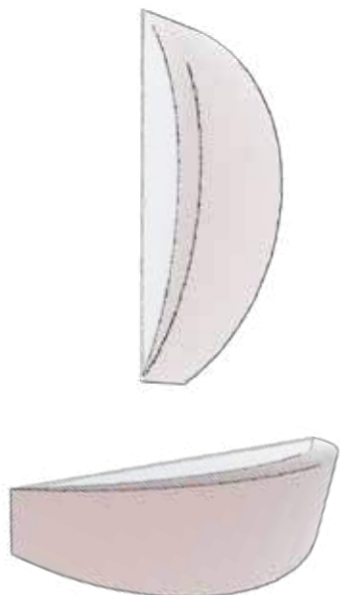
LED

collection



moon shape

Wall lamp Trait de lune



2 possible positions



· use :
highlight a wall, a pillar, ...

- steel structure, polyzinc treatment
- diffusing ACRYL satin
- epoxy paint finishing
- dimensions : 450 x 125 x 140 mm



grey charcoal
(RAL 7021)

Corten rust

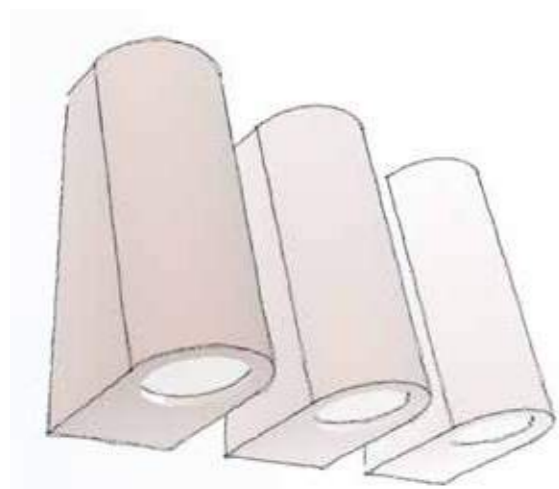
SOURCE :
1000 LUMENS LED PROJECTOR

- 1000 Lumens
- injected aluminum
- IP65 / IK09
- 230 V
- 10 W LED
- 3000° K / warm white



precise, subtle, incisive lighting ...

Wall lamp AP 05



- use :
A compact light source which integrates discreetly to all architectural universes.
- steel structure
- epoxy paint finishing
- dimensions : 50 x 70 x 120 mm



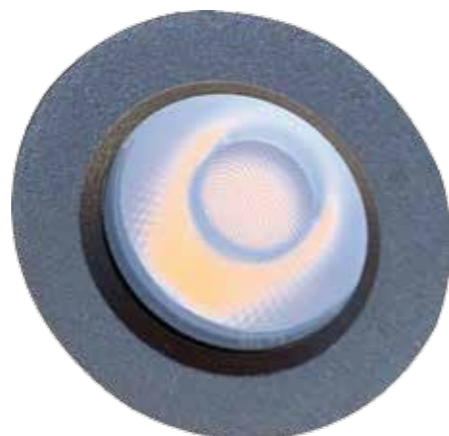
grey charcoal
(RAL 7021)

Corten rust

SOURCE :

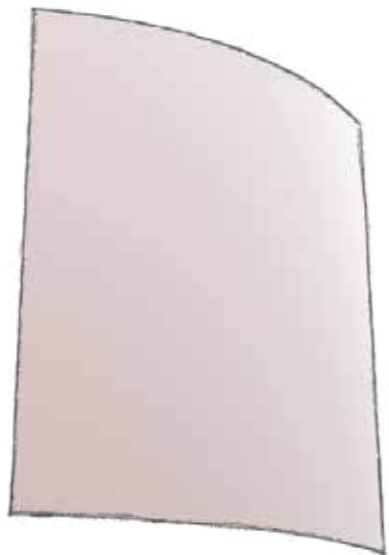
250 LUMENS LED PROJECTOR

- 250 Lumens
- injected aluminum
- IP67 / IK04
- 220-240 V
- 4 W LED
- 3000° K / warm white



curved, classic, timeless

Wall lamp AP 010



grey charcoal
(RAL 7021)

Corten rust

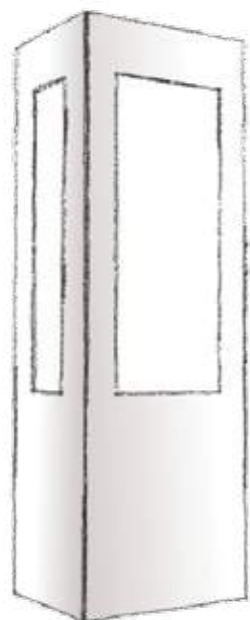
- use :
highlight a wall, a pillar, ...
- steel structure
- epoxy paint finishing
- dimensions : 240 x 120 x 280 mm
- spot settings : above / below / both

SOURCE :
1000 LUMENS LED PROJECTOR

- 1000 Lumens
- injected aluminum
- IP65 / IK09
- 230 V
- 10 W LED
- 3000° K / warm white



like a semaphore
Wall lamp AP 011



- use :
highlight a wall, a pillar, ...
- steel structure / polycarbonate diffuser
- epoxy paint finishing
- dimensions : 140 x 110 x 420 mm



grey charcoal
(RAL 7021)

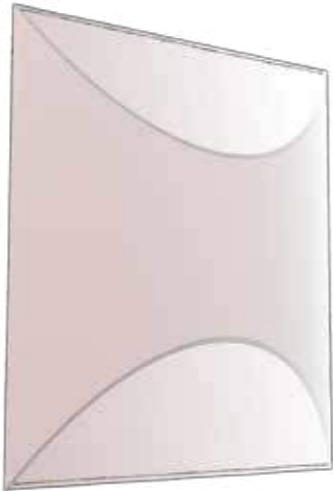
Corten rust

SOURCE :
1000 LUMENS LED PROJECTOR

- 1000 Lumens
- injected aluminum
- IP65 / IK09
- 230 V
- 10 W LED
- 3000° K / warm white



symmetrical curves
Wall lamp AP 015



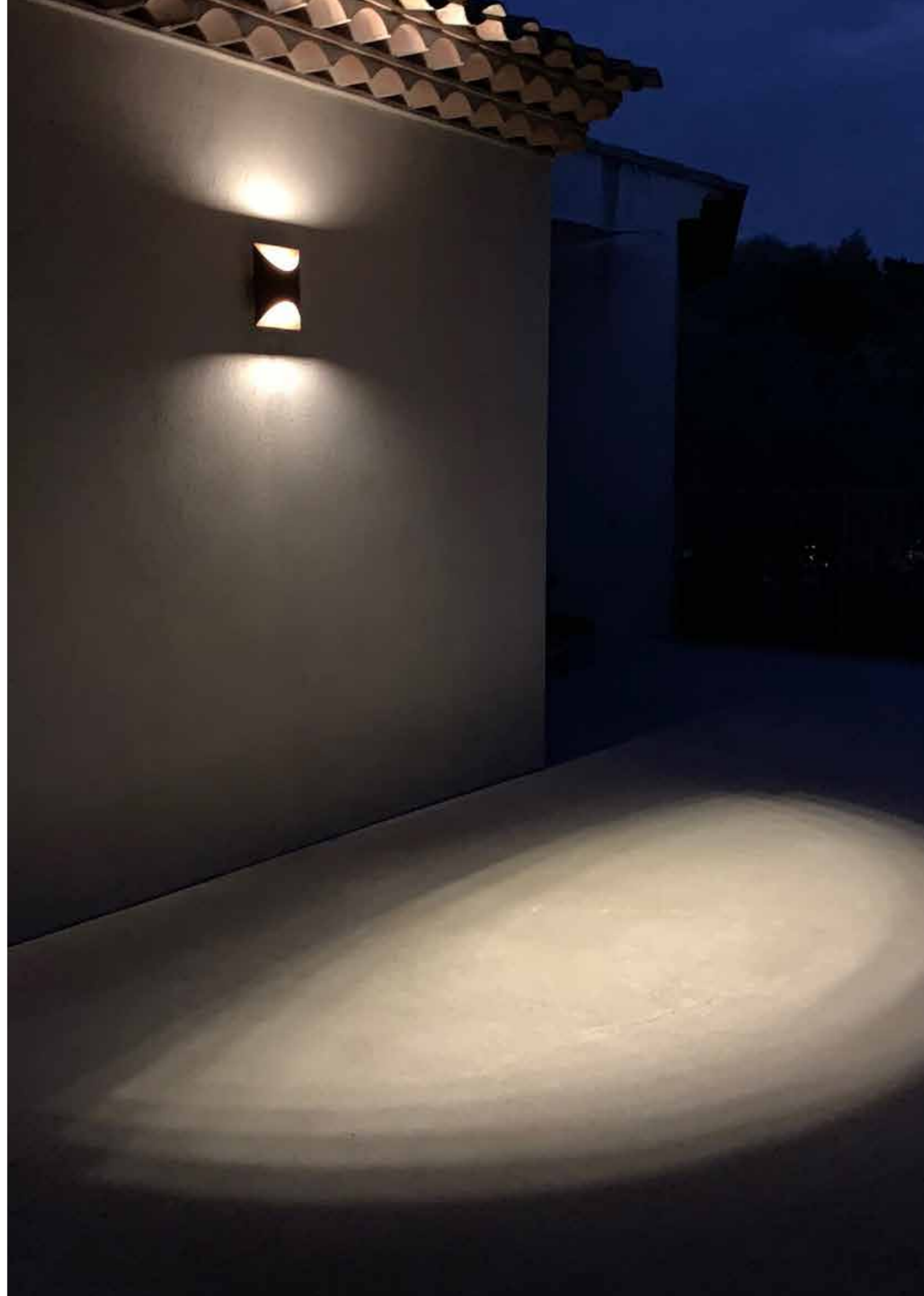
grey charcoal
(RAL 7021)

Corten rust

- use :
highlight a wall, a pilar, ...
- steel structure
- epoxy paint finishing
- dimensions : 240 x 100 x 280 mm
- The center of the wall lamp
can be personalized with a luminous marking.

SOURCE :
1000 LUMENS LED PROJECTOR

- 1000 Lumens
- injected aluminum
- IP65 / IK09
- 230 V
- 10 W LED
- 3000° K / warm white



luminous groove
Wall lamp AP 015



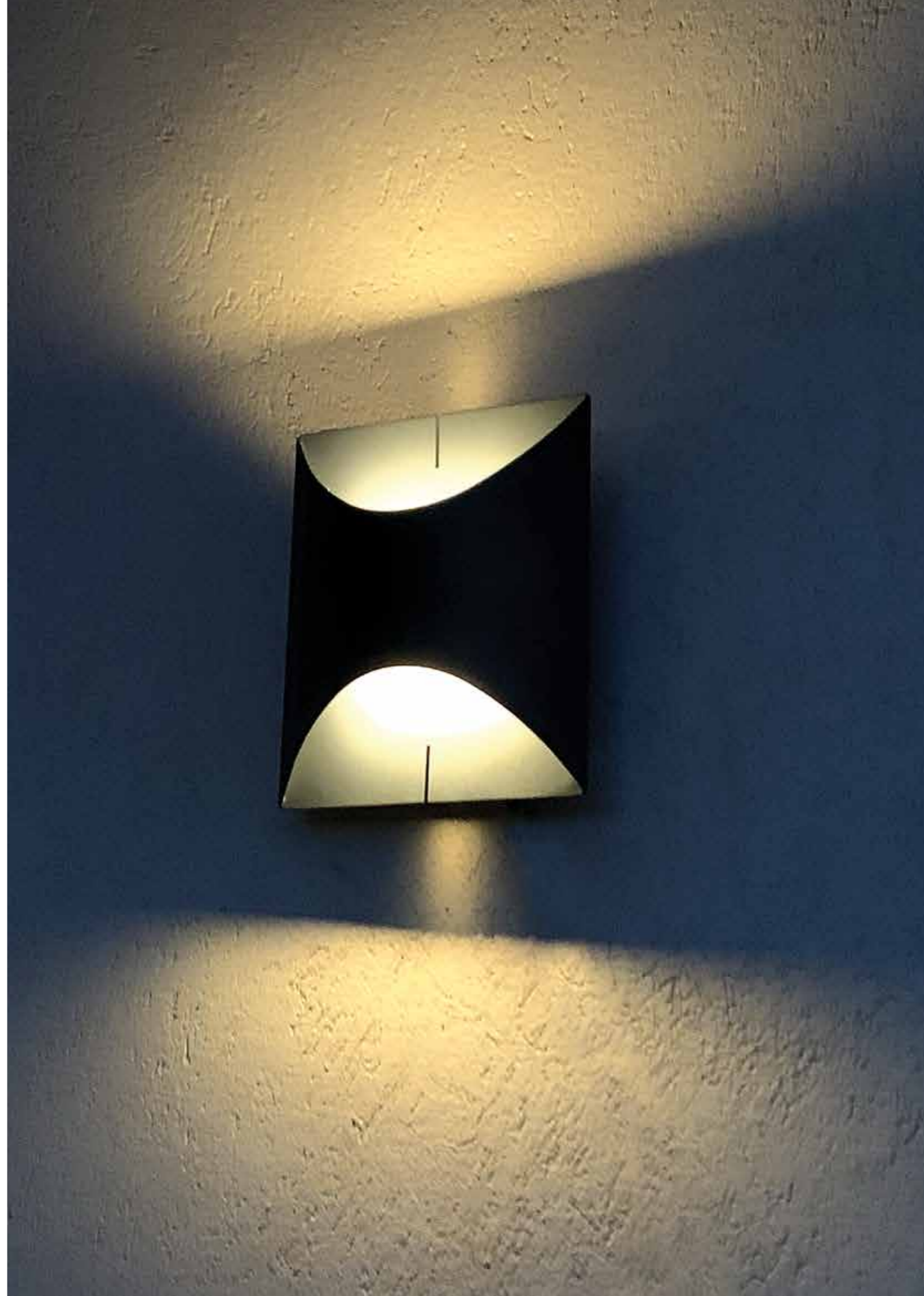
grey charcoal
(RAL 7021)

Corten rust

- use :
highlight a wall, a pillar, ...
- steel structure
- epoxy paint finishing
- dimensions : 240 x 100 x 280 mm
- The center of the wall lamp
can be personalized with a luminous marking.

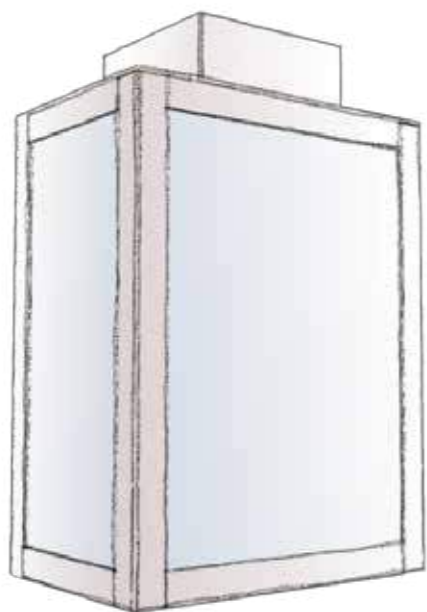
SOURCE :
1000 LUMENS LED PROJECTOR

- 1000 Lumens
- injected aluminum
- IP65 / IK09
- 230 V
- 10 W LED
- 3000° K / warm white



classic lantern

Wall lamp AP 030



- use :
entrance lighting, terrace, balcony, ...
- steel structure 15/10°
- satin Acryl or 3 mm glass on demand
- epoxy paint finishing
- dimensions : 245 x 165 x 380 mm

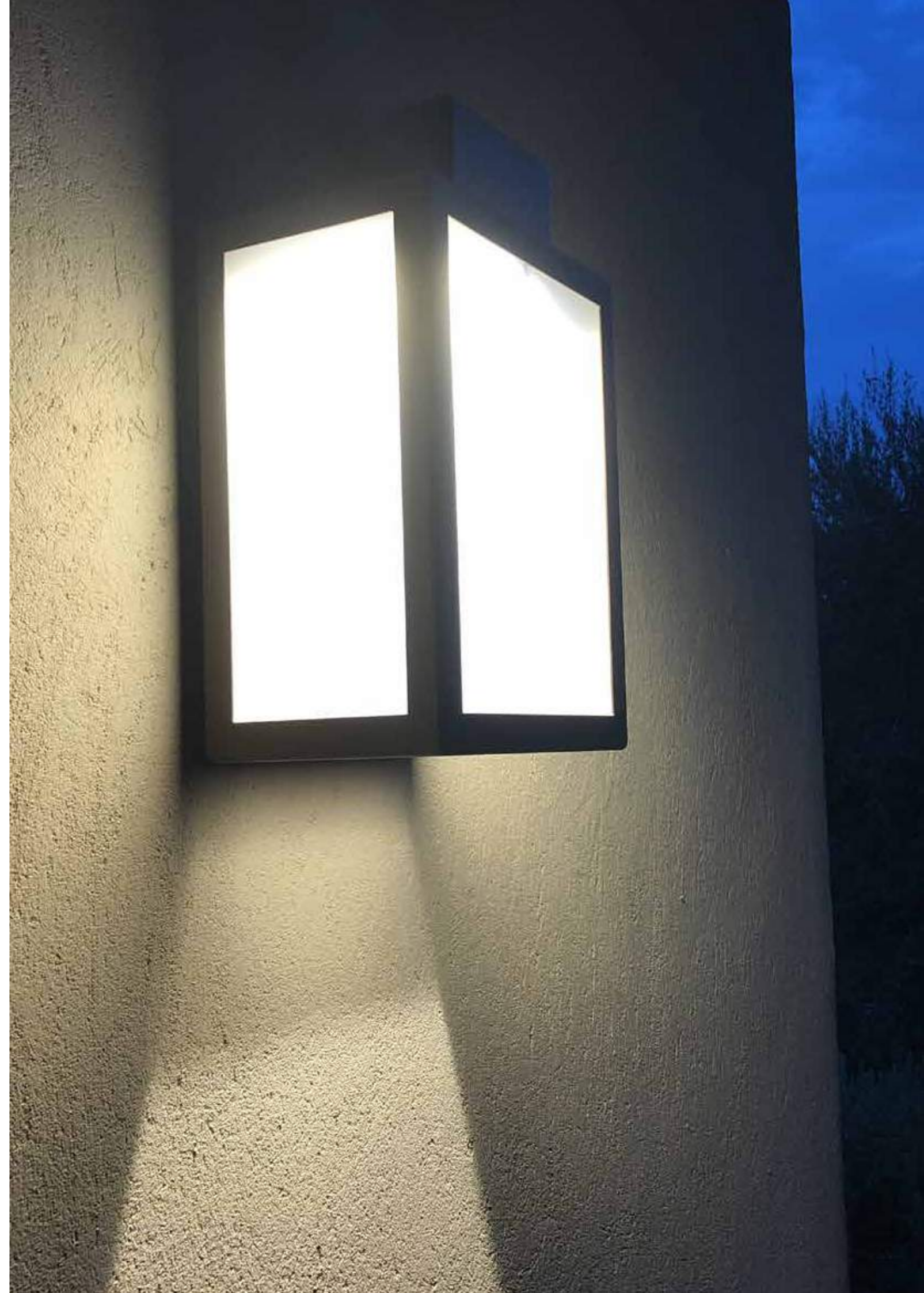


grey charcoal
(RAL 7021)

Corten rust

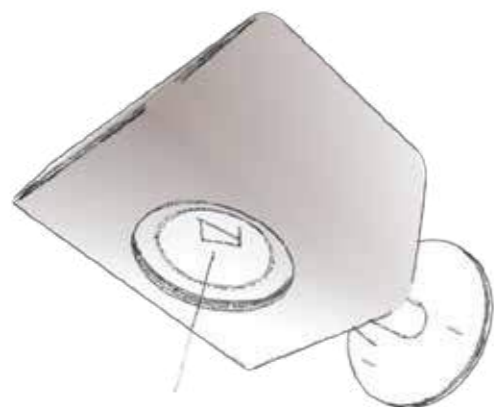
SOURCE :
1000 LUMENS LED PROJECTOR

- 1000 Lumens
- injected aluminum
- IP65 / IK09
- 230 V
- 10 W LED
- 3000° K / warm white



compact

Wall lamp KOKON



- use :
highlight a wall, a terrace
- steel structure
- epoxy paint finishing
- dimensions : 185 x 125 x 76 mm



grey charcoal
(RAL 7021)

Corten rust

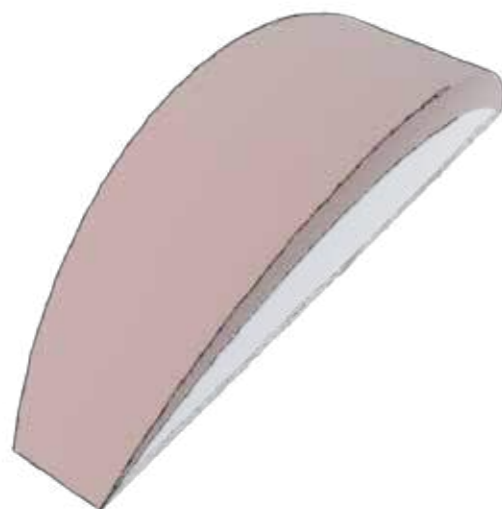
SOURCE :
1000 LUMENS LED PROJECTOR

- 1000 Lumens
- injected aluminum
- IP65 / IK09
- 230 V
- 10 W LED
- 3000° K / warm white



moon shape

Pathway light Trait de lune



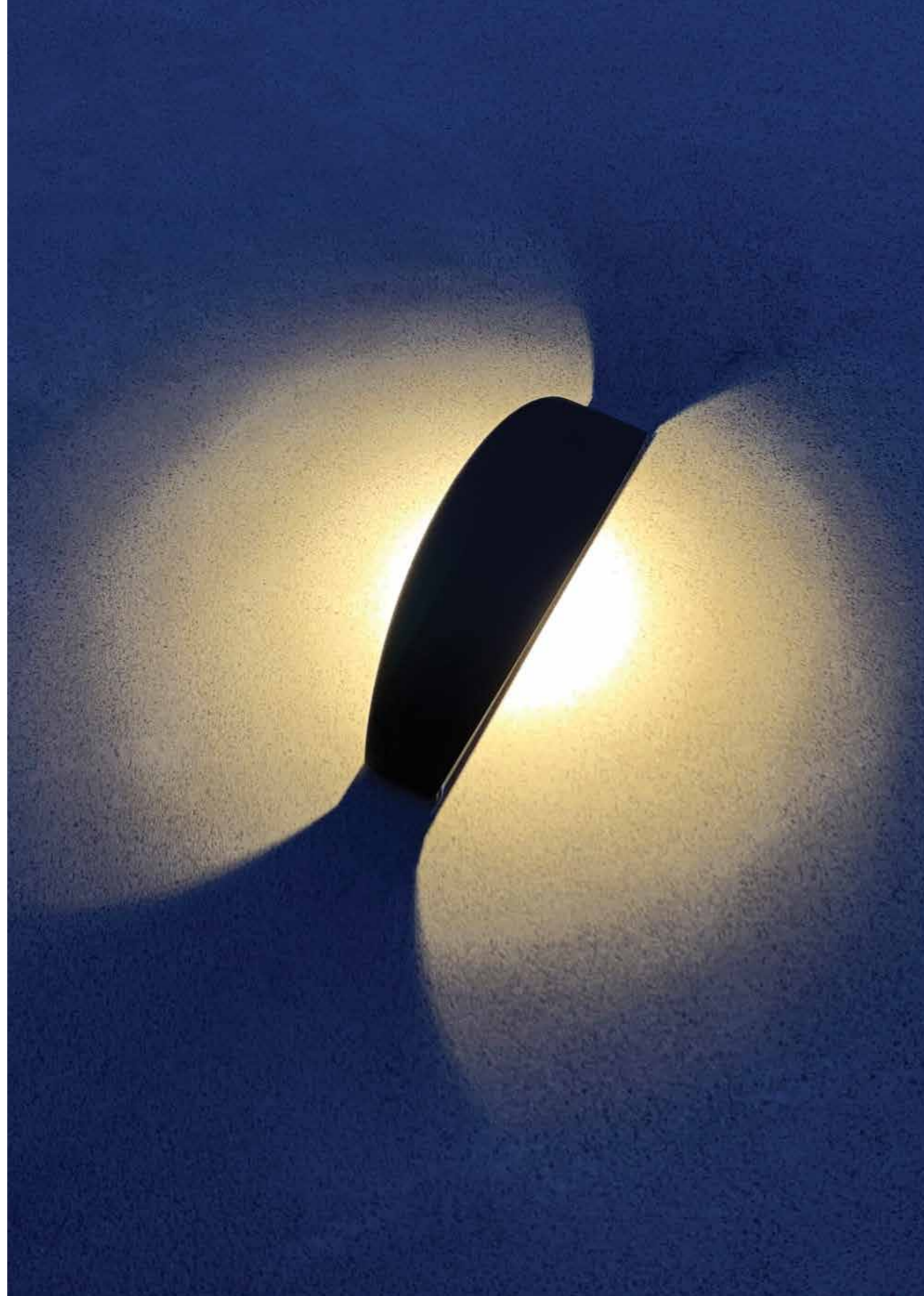
grey charcoal
(RAL 7021)

Corten rust

- use :
markup a path, a lawn, massifs, ...
- steel structure, polyzinc treatment
- diffusing ACRYL satin
- epoxy paint finishing
- dimensions : 450 x 125 x 140 mm

SOURCE :
1000 LUMENS LED PROJECTOR

- 1000 Lumens
- injected aluminum
- IP65 / IK09
- 230 V
- 10 W LED
- 3000° K / warm white



precise, subtle, incisive lighting, ...

Pathway light BN 05



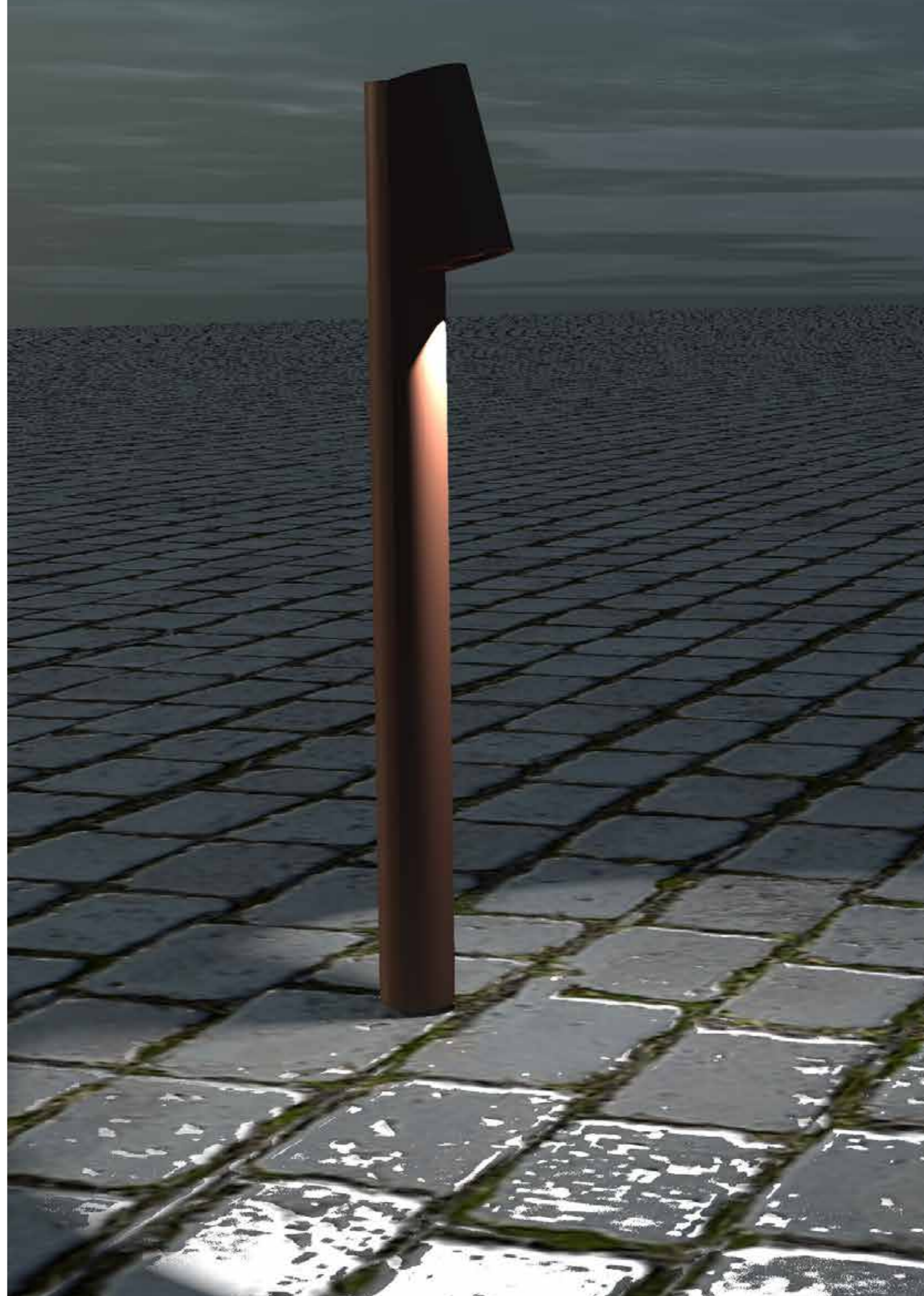
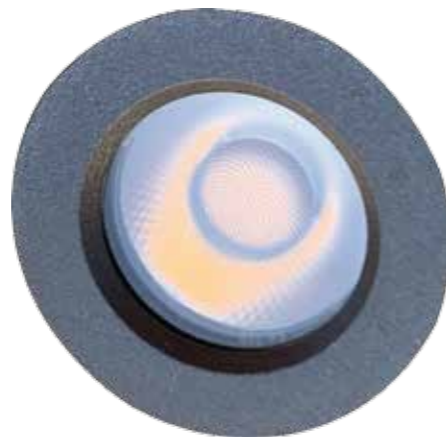
gris anthracite
(RAL 7021)

rouille Corten

- use :
A discreet light that punctuates a path.
- pole to be planted or screwed
- steel structure
- epoxy paint finishing
- dimensions : 50 x 70 x 160 mm

SOURCE :
250 LUMENS LED PROJECTOR

- 250 Lumens
- injected aluminium
- IP67 / IK04
- 220-240 V
- 4 W LED
- 3000° K / warm white



architectural echo

Pathway light BN 010



- use :
markup a path, a lawn, massifs, ...
- vertical band pattern
- steel structure / polycarbonate diffuser
- epoxy paint finishing
- dimensions : 140 x 140 x 490 mm



grey charcoal
(RAL 7021)

Corten rust

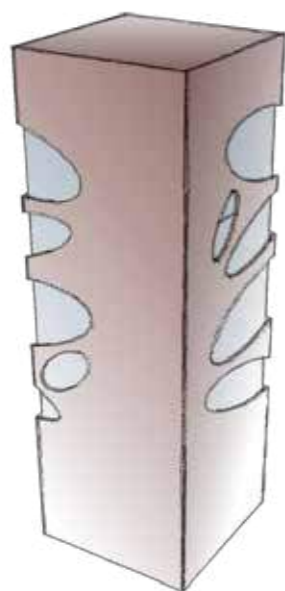
SOURCE :
1000 LUMENS LED PROJECTOR

- 1000 Lumens
- injected aluminum
- IP65 / IK09
- 230 V
- 10 W LED
- 3000° K / warm white



nested curves

Pathway light BN 011



- use :
markup a path, a lawn, massifs, ...
- pebble pattern
- steel structure / polycarbonate diffuser
- epoxy paint finishing
- dimensions : 140 x 140 x 490 mm



grey charcoal
(RAL 7021)

Corten rust

SOURCE :
1000 LUMENS LED PROJECTOR

- 1000 Lumens
- injected aluminum
- IP65 / IK09
- 230 V
- 10 W LED
- 3000° K / warm white



pebble of light

Pathway light BN 011 mini



- use :
markup a path, a lawn, massifs, ...
- pebble pattern
- steel structure / polycarbonate diffuser
- epoxy paint finishing
- dimensions : 110 x 110 x 360 mm



grey charcoal
(RAL 7021)

Corten rust

SOURCE :
1000 LUMENS LED PROJECTOR

- 1000 Lumens
- injected aluminum
- IP65 / IK09
- 230 V
- 10 W LED
- 3000° K / warm white



play of pentagone
Pathway light BN 014



- use :
markup a path, a lawn, massifs, ...
- pentagon pattern
- steel structure / polycarbonate diffuser
- epoxy paint finishing
- dimensions : 140 x 140 x 490 mm



grey charcoal
(RAL 7021)

Corten rust

SOURCE :
1000 LUMENS LED PROJECTOR

- 1000 Lumens
- injected aluminum
- IP65 / IK09
- 230 V
- 10 W LED
- 3000° K / warm white



verticality

Pathway light BN 080



- use :
markup a path, a car park, ...
- vertical band pattern
- steel structure / polycarbonate diffuser
- epoxy paint finishing
- dimensions : 140 x 140 x 800 mm



grey charcoal
(RAL 7021)

Corten rust

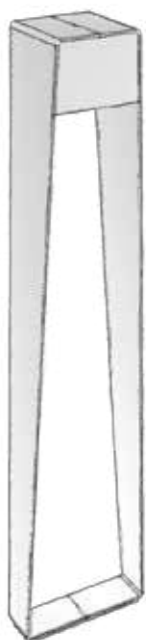
SOURCE :
1000 LUMENS LED PROJECTOR

- 1000 Lumens
- injected aluminum
- IP65 / IK09
- 230 V
- 10 W LED
- 3000° K / warm white



trapeze and light

Pathway light BNL 900



- use :
markup a path, a car park, ...
- steel structure 4 mm
- polyzinc treatment
- epoxy paint finishing
- dimensions : 125 x 185 x 900 mm

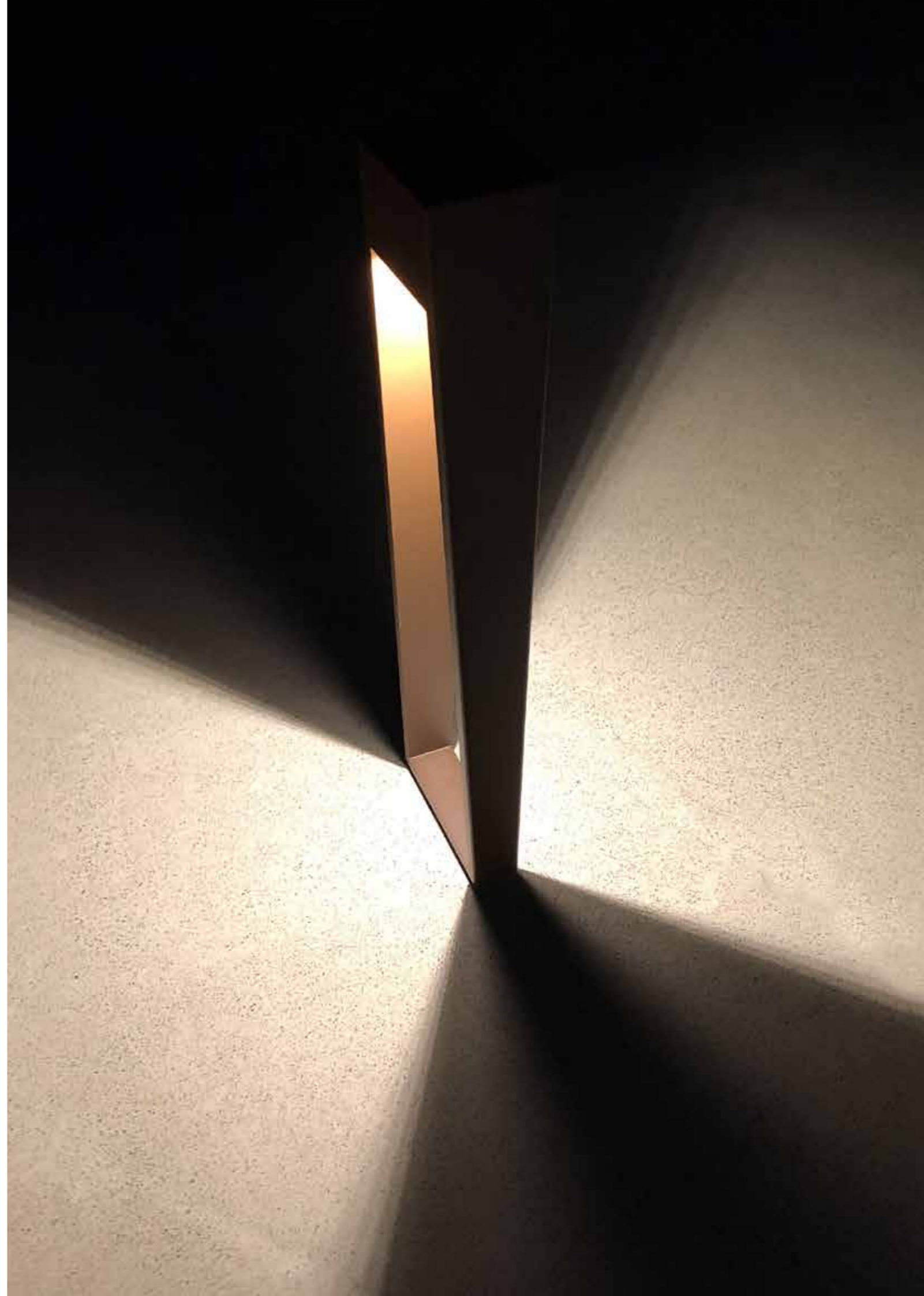


grey charcoal
(RAL 7021)

Corten rust

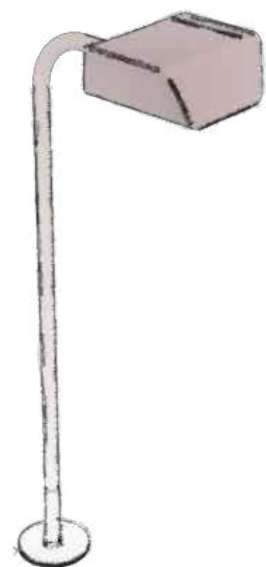
SOURCE :
1000 LUMENS LED PROJECTOR

- 1000 Lumens
- injected aluminum
- IP65 / IK09
- 230 V
- 10 W LED
- 3000° K / warm white



candelabra effect

Pathway light KOKON



- use :
highlight a path, a garden, ...
- steel structure / polycarbonate diffuser
- epoxy paint finishing
- dimensions : 125 x 250 x 580 mm



grey charcoal
(RAL 7021)

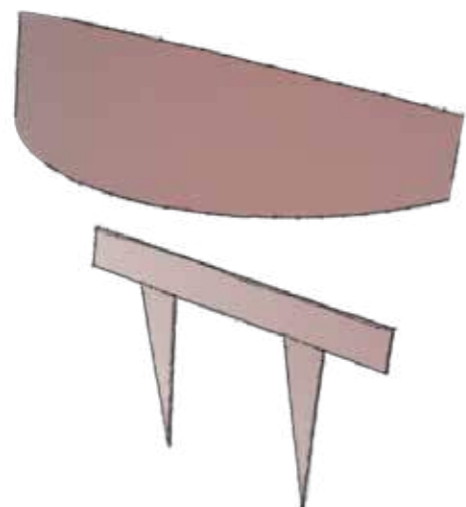
Corten rust

SOURCE :
1000 LUMENS LED PROJECTOR

- 1000 Lumens
- injected aluminum
- IP65 / IK09
- 230 V
- 10 W LED
- 3000° K / warm white



moon shape
Spotlight Trait de lune



· use :
lighting of trees, plants, facades, pillars

- steel structure, polyzinc treatment
- diffusing ACRYL satin
- epoxy paint finishing
- dimensions : 450 x 125 x 140 mm

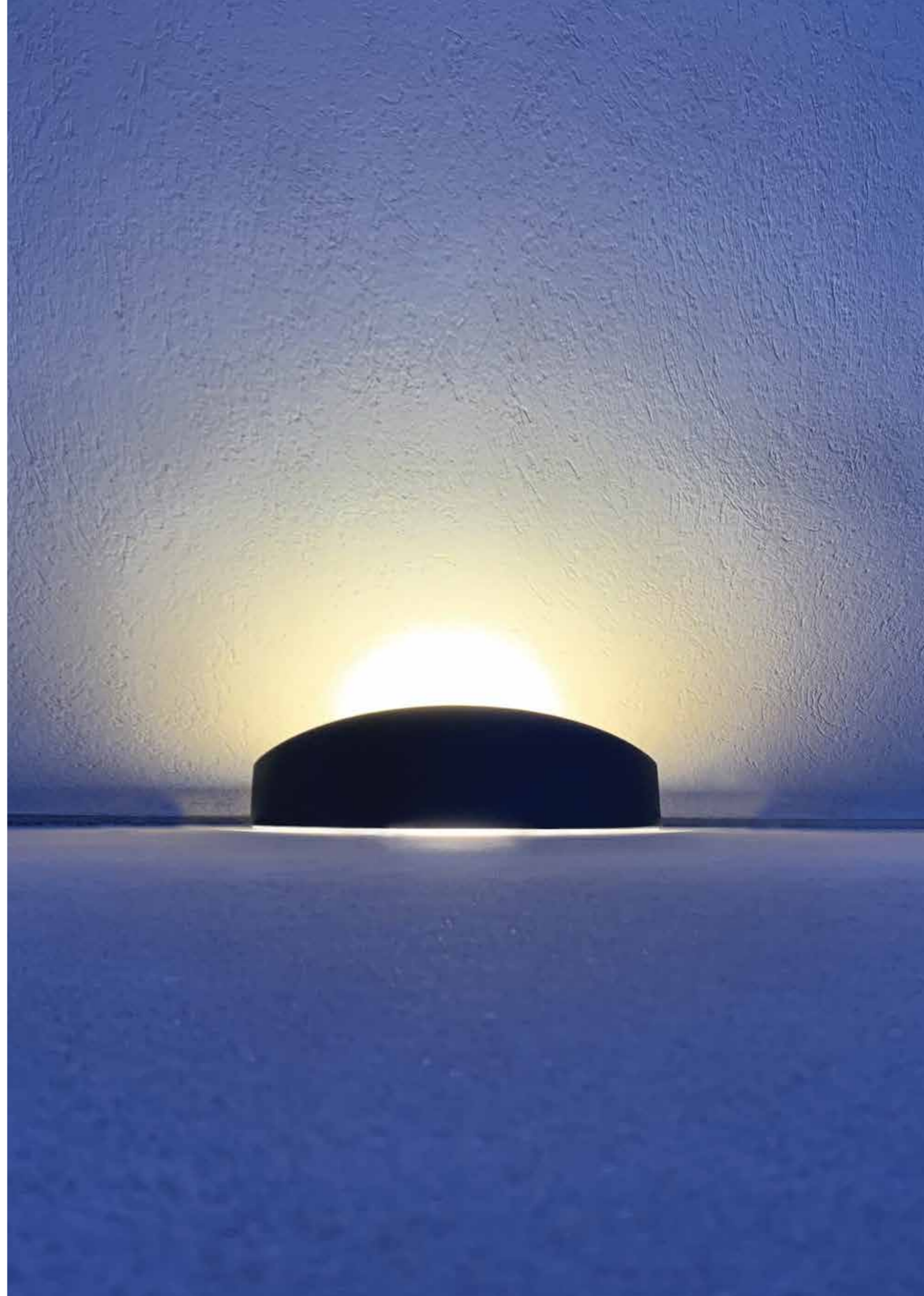


grey charcoal
(RAL 7021)

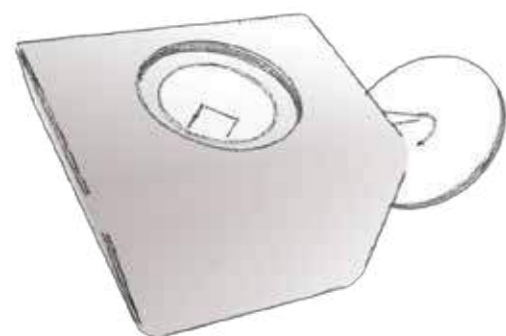
Corten rust

SOURCE :
1000 LUMENS LED PROJECTOR

- 1000 Lumens
- injected aluminum
- IP65 / IK09
- 230 V
- 10 W LED
- 3000° K / warm white



upside / upside down
Spotlight KOKON



· use :
lighting of trees, plants, facades, pillars

· steel structure, polyzinc treatment
· epoxy paint finishing
· dimensions : 185 x 125 x 76 mm



grey charcoal
(RAL 7021)

Corten rust

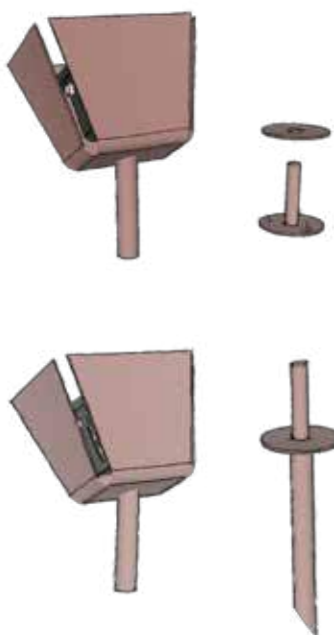
SOURCE :
1000 LUMENS LED PROJECTOR

- 1000 Lumens
- injected aluminum
- IP65 / IK09
- 230 V
- 10 W LED
- 3000° K / warm white



cinema ...

Spotlight SP 011



- use :
highlight a path, a wall, a pillar, ...
- finned spotlight
- steel structure
- epoxy paint finishing
- dimensions : 140 x 106 x 120 mm (off tube)



grey charcoal
(RAL 7021)

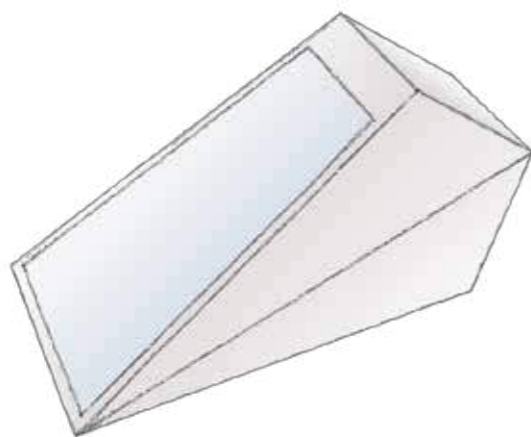
Corten rust

SOURCE :
1000 LUMENS LED PROJECTOR

- 1000 Lumens
- injected aluminum
- IP65 / IK09
- 230 V
- 10 W LED
- 3000° K / warm white



at ground level
Spotlight SP 025



grey charcoal
(RAL 7021)

Corten rust

- use :
lighting of trees, plants, facades, pillars
- steel structure acier
- epoxy paint finishing
- dimensions : 205 x 205 x 365 mm

SOURCE :
1000 LUMENS LED PROJECTOR

- 1000 Lumens
- injected aluminum
- IP65 / IK09
- 230 V
- 10 W LED
- 3000° K / warm white

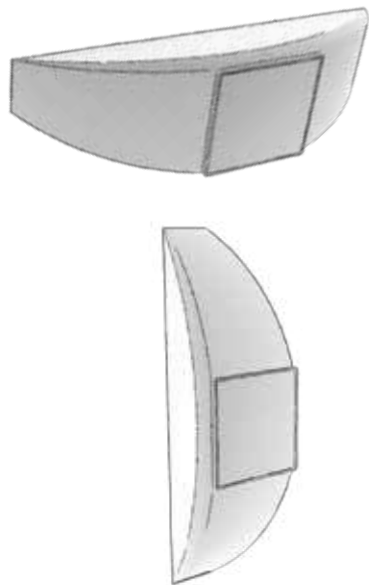


*Solar
collection*



moon shape

Solar wall lamp Trait de lune



2 possible positions



- use :
highlight a wall, an entrance, ...
- presence detector
- steel structure, polyzinc treatment
- diffusing ACRYL satin
- epoxy paint finishing
- dimensions : 450 x 125 x 140 mm

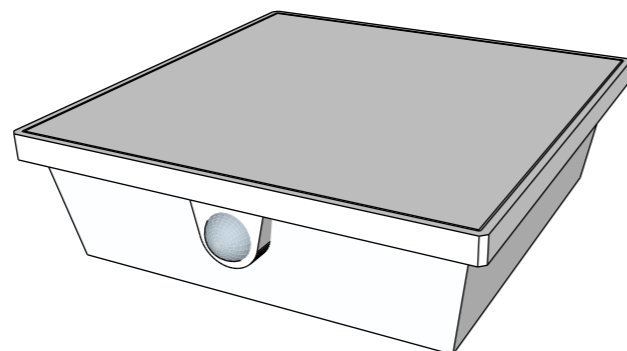
grey charcoal
(RAL 7021)

Corten rust

SOLAR BLOCK

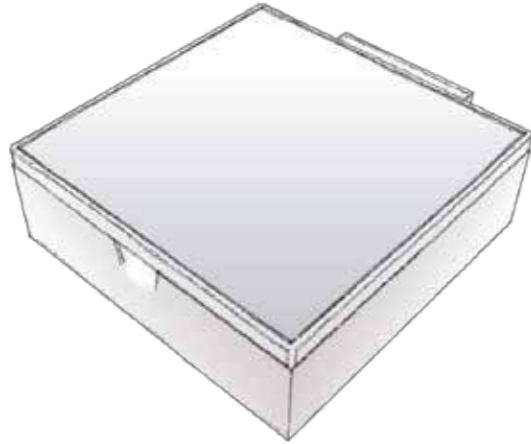
KYBSUN (KYB 010)

- 500 LUMENS
- 10 LED
- 3000° K. / warm white
- power : 3W
- adjustable intensity
- IP 55 waterproof
- recharge : solar or sector
- autonomy : from 5 H. to 200 H.



condensed sunlight

Solar wall lamp APS 010



· use :
highlight a wall, an entrance, ...

· presence detector
· steel structure
· epoxy paint finishing
· dimensions : 125 x 185 x 45 mm



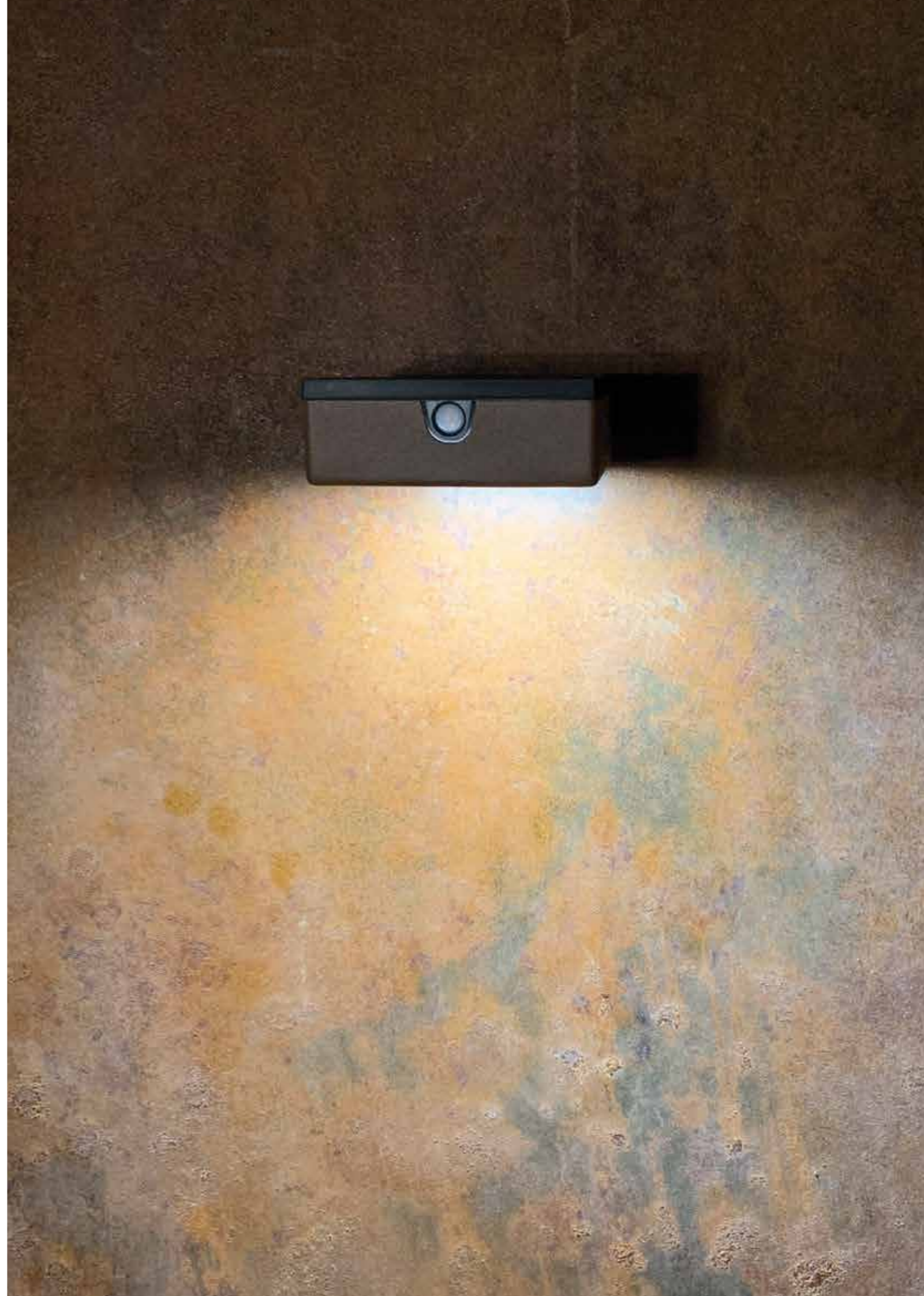
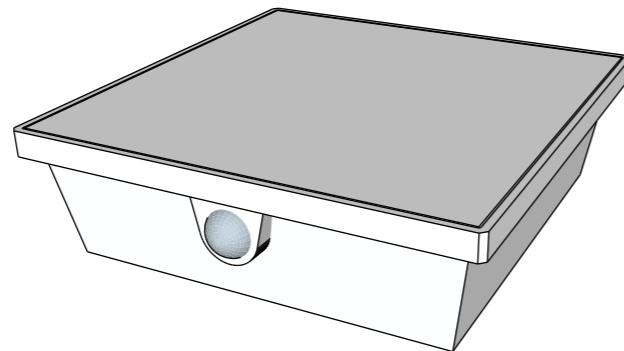
grey charcoal
(RAL 7021)

Corten rust

SOLAR BLOCK

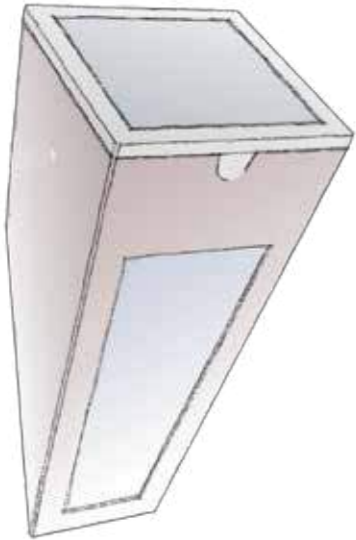
KYBSUN (KYB 010)

- 500 LUMENS
- 10 LED
- 3000° K. / warm white
- power : 3W
- adjustable intensity
- IP 55 waterproof
- recharge : solar or sector
- autonomy : from 5 H. to 200 H.



south, southwest

Solar wall lamp APS 020



· use :
highlight a wall, a pillar, ... (South oriented)

- presence detector
- steel structure 15/10°
- polycarbonate diffuser
- epoxy paint finishing
- dimensions : 125 x 165 x 315 mm



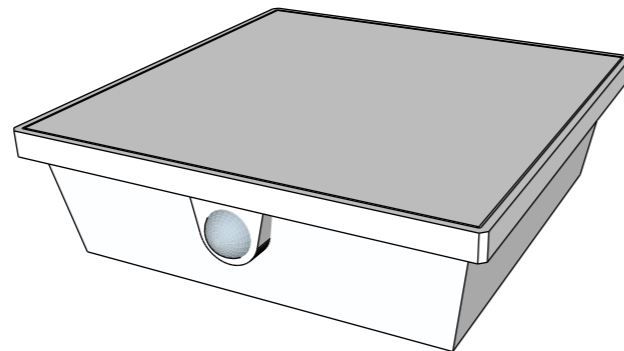
grey charcoal
(RAL 7021)

Corten rust

SOLAR BLOCK

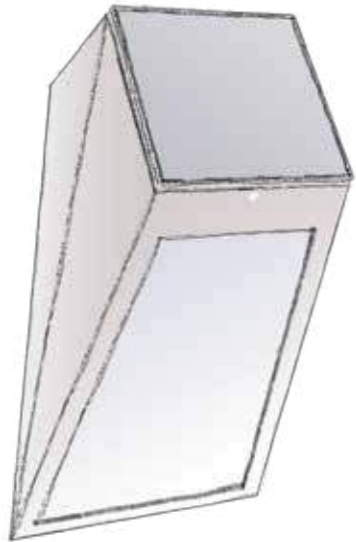
KYBSUN (KYB 010)

- 500 LUMENS
- 10 LED
- 3000° K. / warm white
- power : 3W
- adjustable intensity
- IP 55 waterproof
- recharge : solar or sector
- autonomy : from 5 H. to 200 H.



solar angle

Solar wall lamp APS 025



grey charcoal
(RAL 7021)

Corten rust

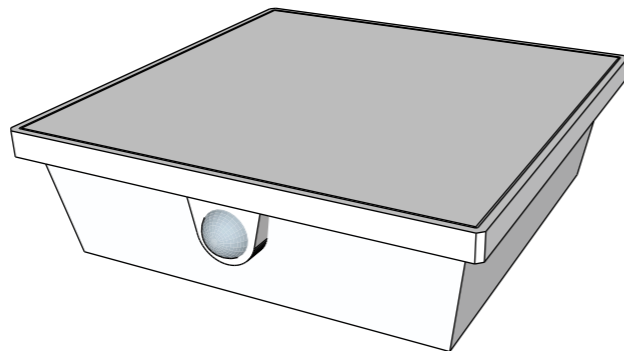
· use :
highlight a terrace, a balcony, a gate, ...
(South oriented)

- presence detector
- steel structure 15/10°
- polycarbonate diffuser
- epoxy paint finishing
- dimensions : 205 x 205 x 365 mm

SOLAR BLOCK

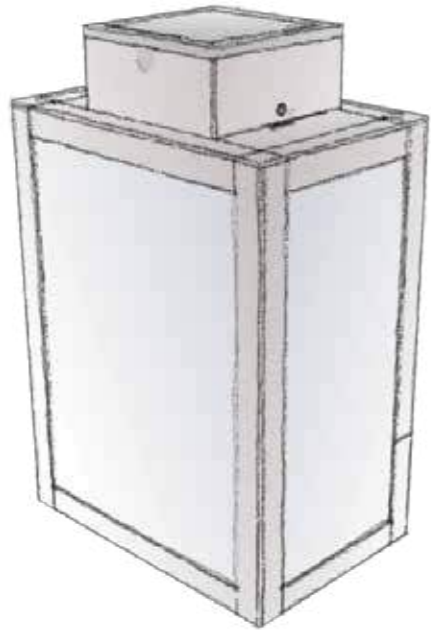
KYBSUN (KYB 010)

- 500 LUMENS
- 10 LED
- 3000° K. / warm white
- power : 3W
- adjustable intensity
- IP 55 waterproof
- recharge : solar or sector
- autonomy : from 5 H. to 200 H.



lantern yet solar

Solar wall lamp APS 030



· use :
highlight a wall, a pillar, ... (South oriented)

- presence detector
- steel structure 15/10°
- satin Acryl or 3 mm glass on demand
- epoxy paint finishing
- dimensions : 245 x 165 x 380 mm



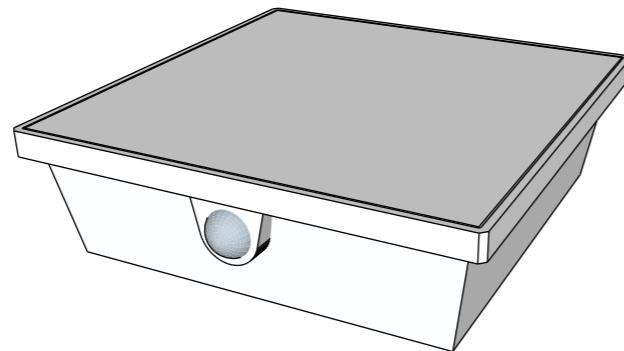
grey charcoal
(RAL 7021)

Corten rust

SOLAR BLOCK

KYBSUN (KYB 010)

- 500 LUMENS
- 10 LED
- 3000° K. / warm white
- power : 3W
- adjustable intensity
- IP 55 waterproof
- recharge : solar or sector
- autonomy : from 5 H. to 200 H.



moon shape

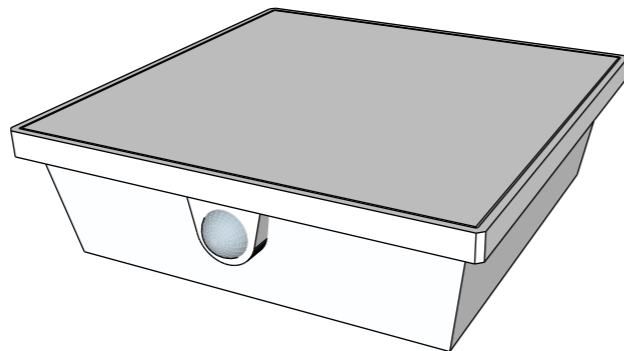
Solar pathway light Trait de Lune



grey charcoal
(RAL 7021)

Corten rust

- use :
mark up paths, terraces, ...
can also be used as a spotlight for tree lighting,
plants, facades, pillars, ...
- presence detector
- steel structure, polyzinc treatment
- diffusing ACRYL satin
- epoxy paint finishing
- dimensions : 450 x 125 x 140 mm



SOLAR BLOCK

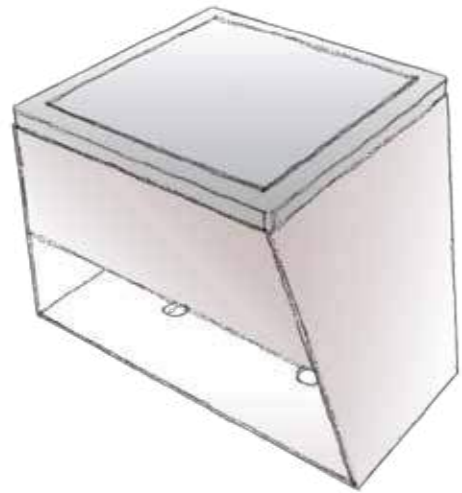
KYBSUN (KYB 010)

- 500 LUMENS
- 10 LED
- 3000° K. / warm white
- power : 3W
- adjustable intensity
- IP 55 waterproof
- recharge : solar or sector
- autonomy : from 5 H. to 200 H.



ground effect

Solar pathway light BTS 125

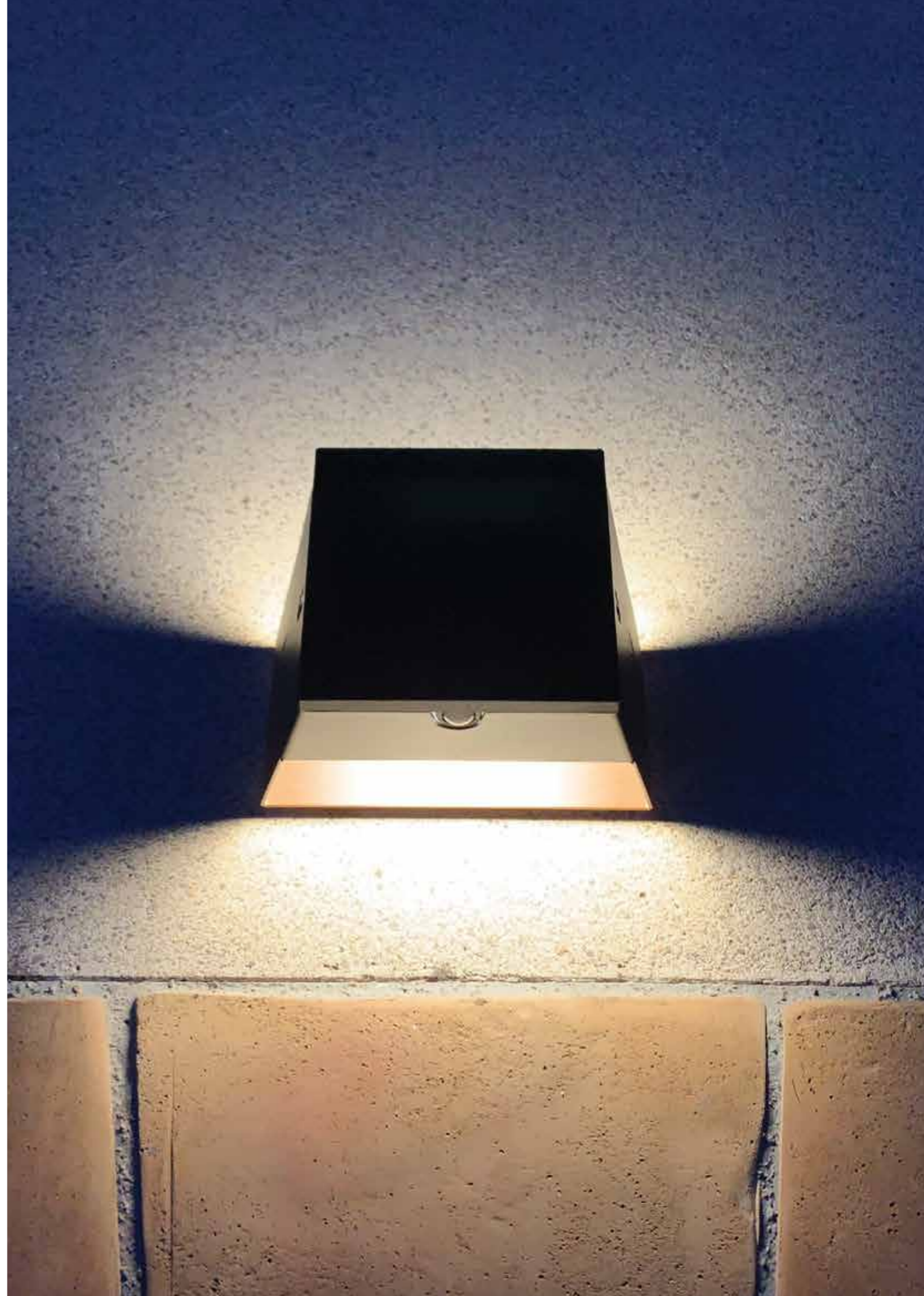
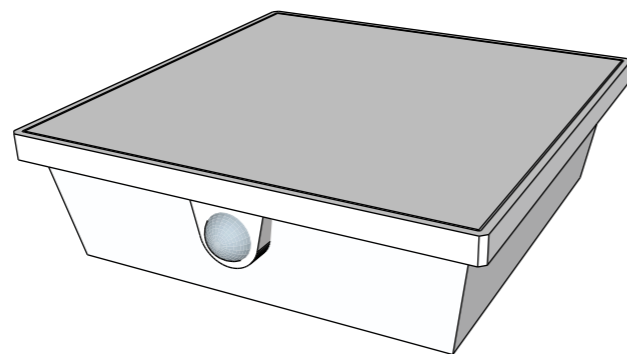


grey charcoal
(RAL 7021)

Corten rust

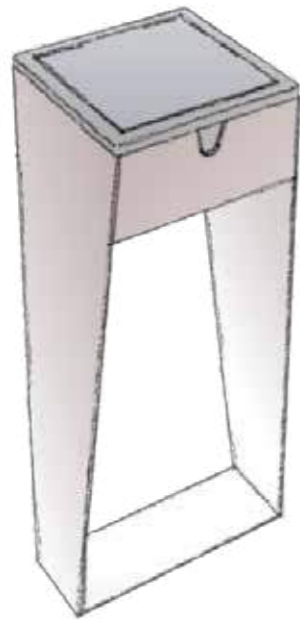
- use :
markup a path, a car park, ...
- presence detector
- steel structure 15/10°
- epoxy paint finishing
- dimensions : 125 x 185 x 125 mm

- SOLAR BLOCK
KYBSUN (KYB 010)
- 500 LUMENS
 - 10 LED
 - 3000° K. / warm white
 - power : 3W
 - adjustable intensity
 - IP 55 waterproof
 - recharge : solar or sector
 - autonomy : from 5 H. to 200 H.



creepage distance

Solar pathway light BTS 400



- use :
markup a path, a car park, ...
- presence detector
- steel structure 4 mm
- epoxy paint finishing
- dimensions : 125 x 185 x 400 mm



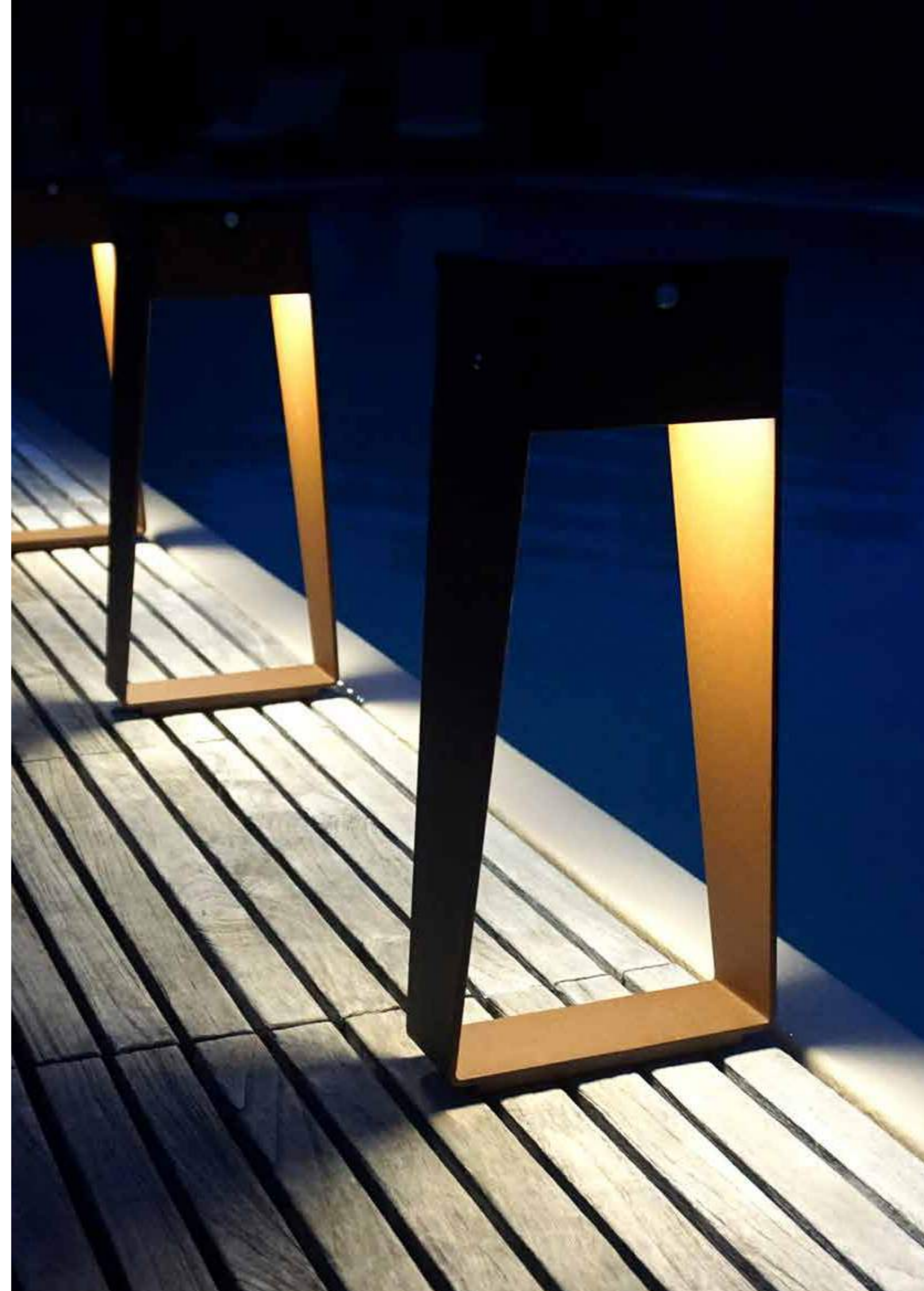
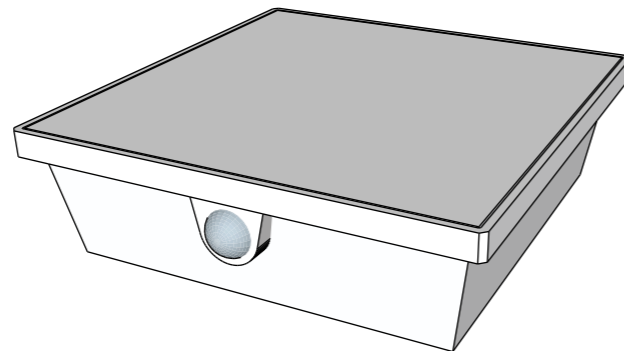
grey charcoal
(RAL 7021)

Corten rust

SOLAR BLOCK

KYBSUN (KYB 010)

- 500 LUMENS
- 10 LED
- 3000° K. / warm white
- power : 3W
- adjustable intensity
- IP 55 waterproof
- recharge : solar or sector
- autonomy : from 5 H. to 200 H.



perspective

Solar pathway light BTS 900



grey charcoal
(RAL 7021)

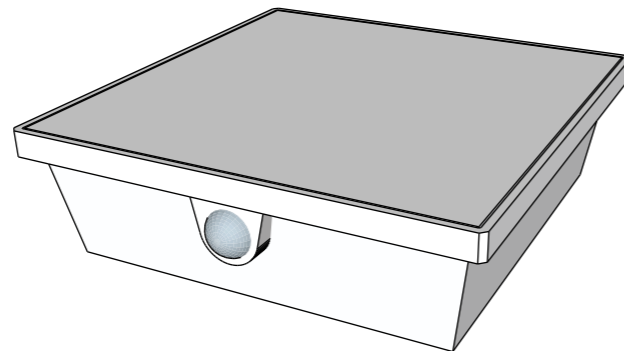
Corten rust

- use :
markup a path, a car park, ...
- presence detector
- steel structure 4 mm
- epoxy paint finishing
- dimensions : 125 x 185 x 900 mm

SOLAR BLOCK

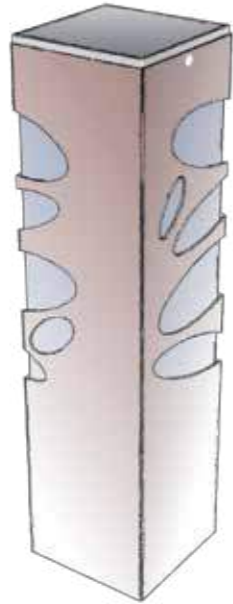
KYBSUN (KYB 010)

- 500 LUMENS
- 10 LED
- 3000° K. / warm white
- power : 3W
- adjustable intensity
- IP 55 waterproof
- recharge : solar or sector
- autonomy : from 5 H. to 200 H.



solar pebble

Solar pathway light BNS 011



- use :
markup a path, a car park, a terrace, ...
- presence detector
- Acryl satin diffuser 2 mm
- epoxy paint finishing
- dimensions : 125 x 125 x 400 mm



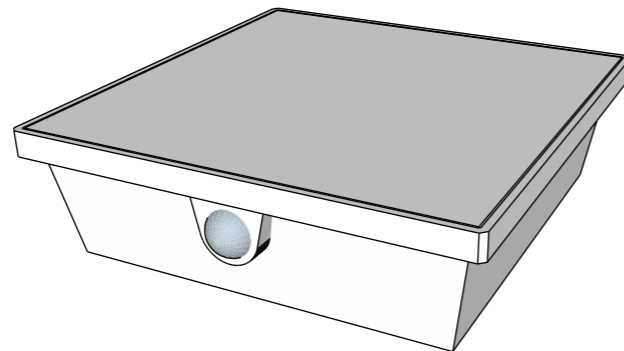
grey charcoal
(RAL 7021)

Corten rust

SOLAR BLOCK

KYBSUN (KYB 010)

- 500 LUMENS
- 10 LED
- 3000° K. / warm white
- power : 3W
- adjustable intensity
- IP 55 waterproof
- recharge : solar or sector
- autonomy : from 5 H. to 200 H.



solar accent

Solar pathway light TEE



grey charcoal
(RAL 7021)

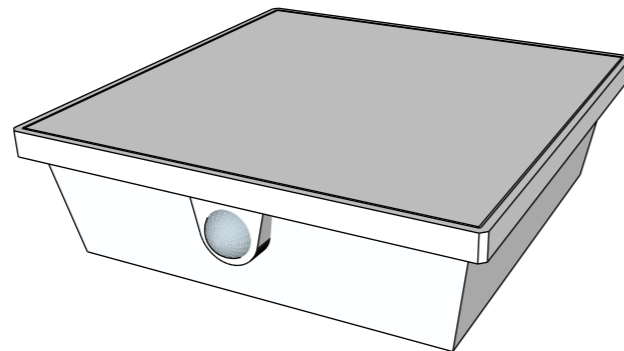
Corten rust

- use :
markup a path, a garden, ...
- presence detector
- steel structure
- epoxy paint finishing
- dimensions : 125 x 125 x 500 mm

SOLAR BLOCK

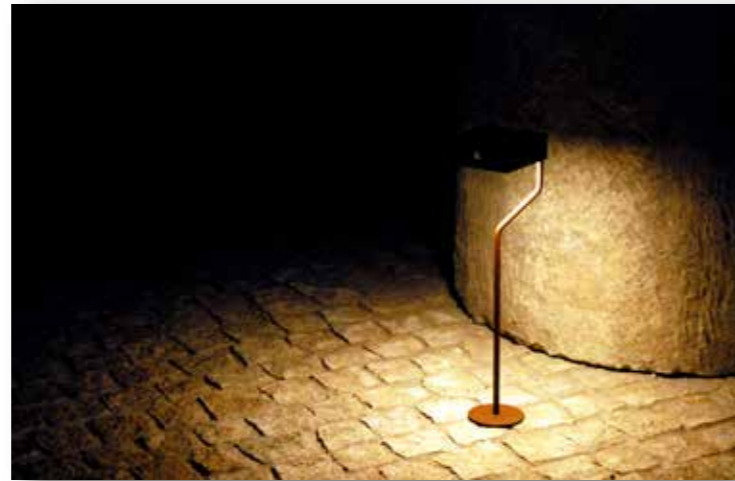
KYBSUN (KYB 010)

- 500 LUMENS
- 10 LED
- 3000° K. / warm white
- power : 3W
- adjustable intensity
- IP 55 waterproof
- recharge : solar or sector
- autonomy : from 5 H. to 200 H.



solar accent

Solar pathway light TEE round base



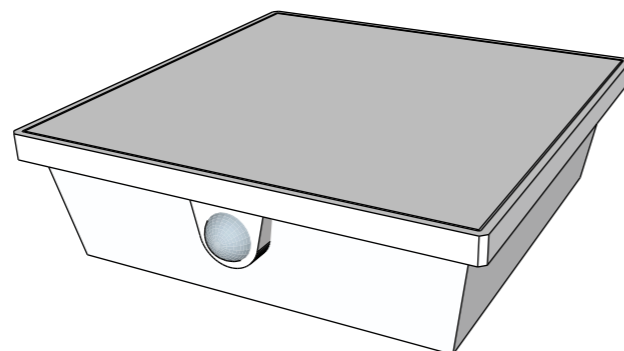
- use :
markup a path, a garden, ...
- presence detector
- steel structure
- epoxy paint finishing
- dimensions : 125 x 125 x 500 mm



grey charcoal
(RAL 7021)

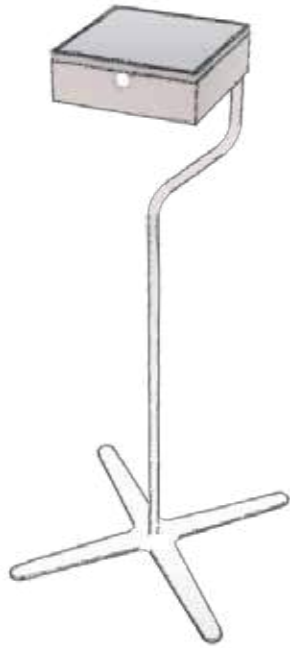
Corten rust

- SOLAR BLOCK
KYBSUN (KYB 010)
- 500 LUMENS
 - 10 LED
 - 3000° K. / warm white
 - power : 3W
 - adjustable intensity
 - IP 55 waterproof
 - recharge : solar or sector
 - autonomy : from 5 H. to 200 H.



Tee for two

Solar candlestick TEE



- use :
table lighting
- presence detector
- steel structure
- epoxy paint finishing
- dimensions : 300 x 300 x 500 mm



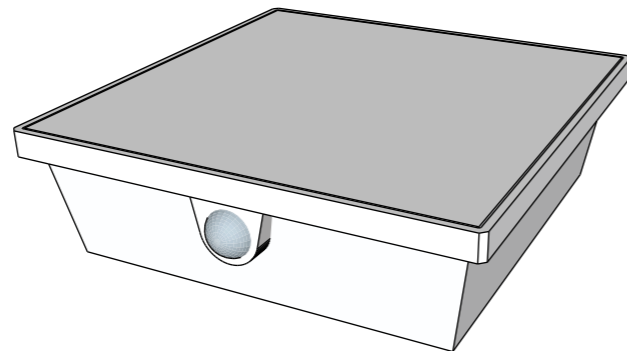
grey charcoal
(RAL 7021)

Corten rust

SOLAR BLOCK

KYBSUN (KYB 010)

- 500 LUMENS
- 10 LED
- 3000° K. / warm white
- power : 3W
- adjustable intensity
- IP 55 waterproof
- recharge : solar or sector
- autonomy : from 5 H. to 200 H.



SOLAR

sky is the limit

TEE XL



- use :
markup a path, a garden, ...
- presence detector
- steel structure
- epoxy paint finishing
- dimensions : 125 x 125 x 1950 mm



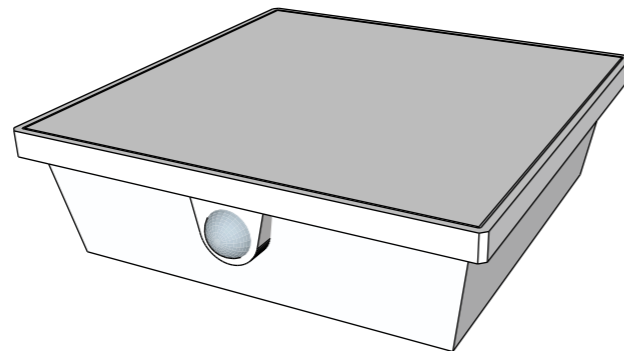
grey charcoal
(RAL 7021)

Corten rust

SOLAR BLOCK

KYBSUN (KYB 010)

- 500 LUMENS
- 10 LED
- 3000° K. / warm white
- power : 3W
- adjustable intensity
- IP 55 waterproof
- recharge : solar or sector
- autonomy : from 5 H. to 200 H.



luminous foliage

Solar torch TOS 020



grey charcoal
(RAL 7021)

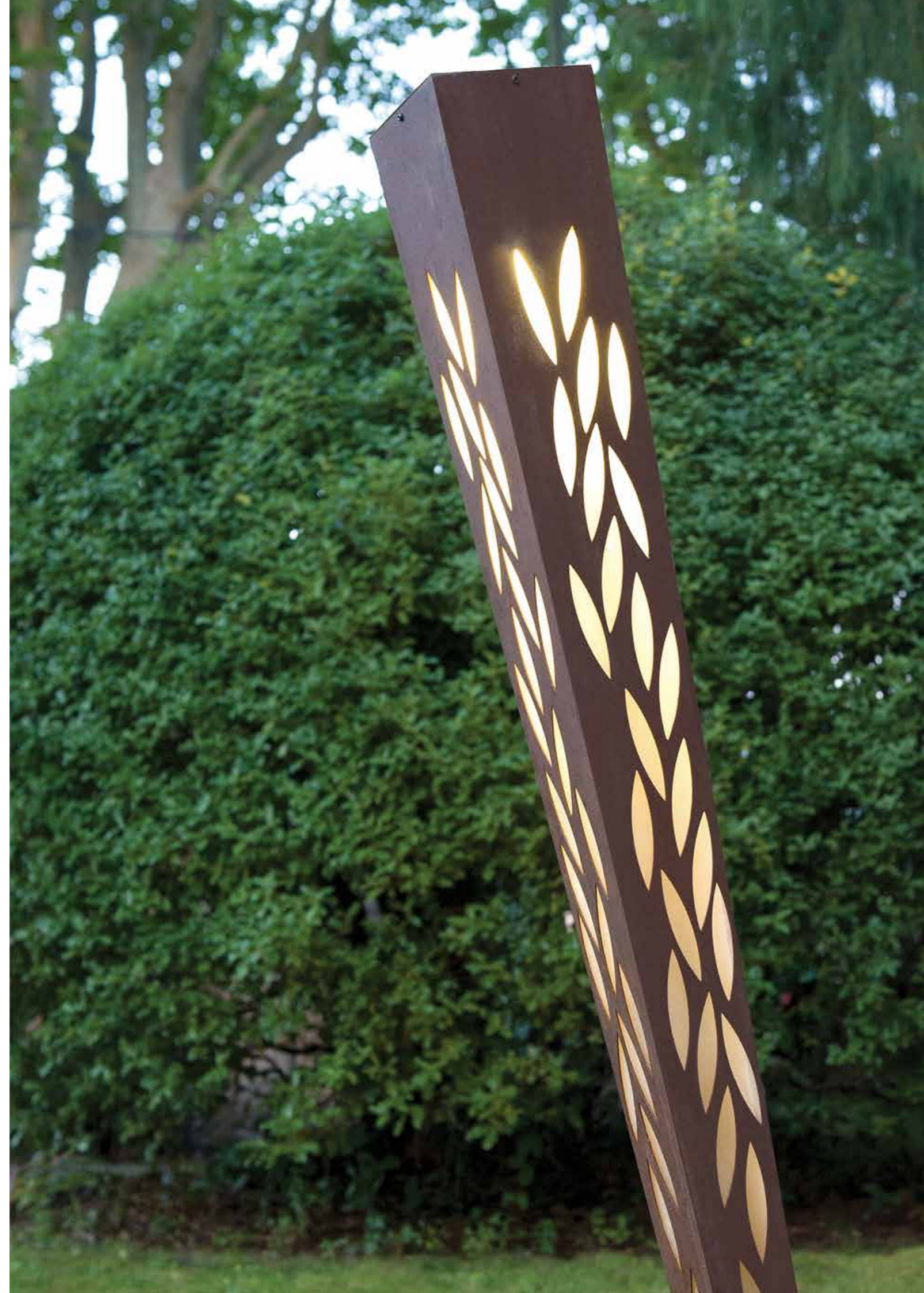
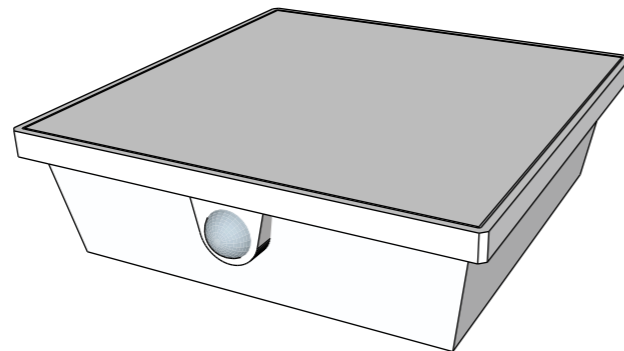
Corten rust

- use :
markup a path, a garden, ...
- presence detector
- steel structure
- epoxy paint finishing
- dimensions : 125 x 125 x 1190 mm

SOLAR BLOCK

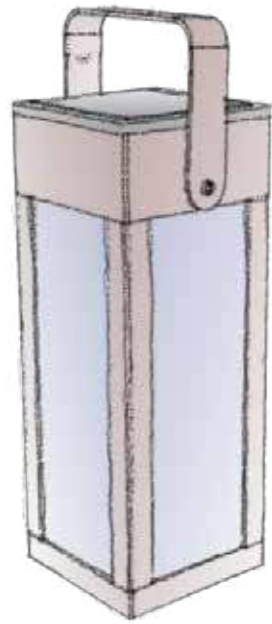
KYBSUN (KYB 010)

- 500 LUMENS
- 10 LED
- 3000° K. / warm white
- power : 3W
- adjustable intensity
- IP 55 waterproof
- recharge : solar or sector
- autonomy : from 5 H. to 200 H.



lantern or pathway light

Solar lantern LAS 021



grey charcoal
(RAL 7021)

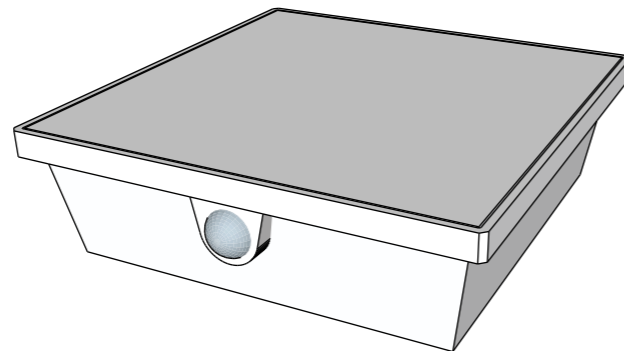
Corten rust

- use :
lantern (with handle) /
markup a path (without handle)
- presence detector
- steel structure 15/10° / polycarbonate diffuser
- epoxy paint finishing
- dimensions : 125 x 125 x 350 mm

SOLAR BLOCK

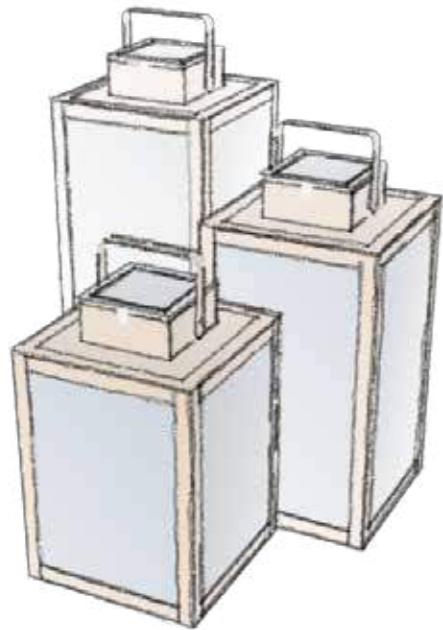
KYBSUN (KYB 010)

- 500 LUMENS
- 10 LED
- 3000° K. / warm white
- power : 3W
- adjustable intensity
- IP 55 waterproof
- recharge : solar or sector
- autonomy : from 5 H. to 200 H.



lanterns game

Solar lantern LAS 400/500/600



- use :
lanterns, terraces decoration, patios, lawns, ...
- presence detector
- epoxy paint finishing
- steel structure 15/10° mm
- satin Acryl or 3 mm glass on demand
- dimensions : - LAS 400 // 245 x 245 x 395 mm
- LAS 500 // 245 x 245 x 495 mm
- LAS 600 // 245 x 245 x 595 mm



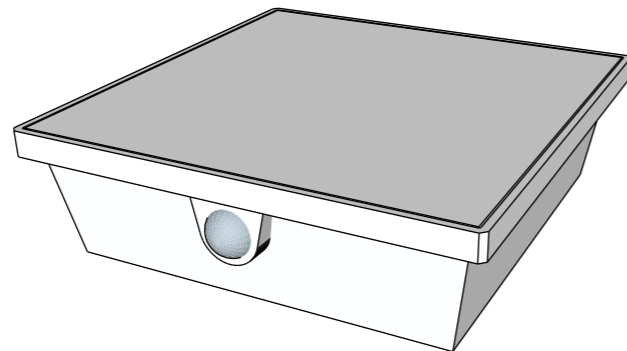
grey charcoal
(RAL 7021)

Corten rust

SOLAR BLOCK

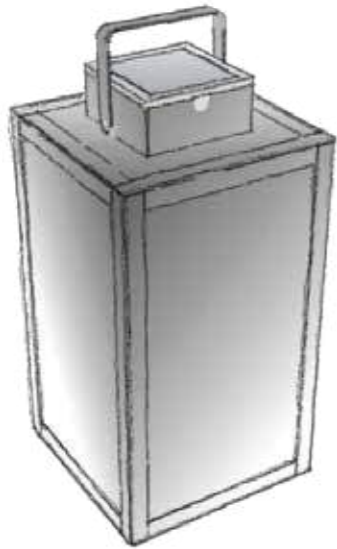
KYBSUN (KYB 010)

- 500 LUMENS
- 10 LED
- 3000° K. / warm white
- power : 3W
- adjustable intensity
- IP 55 waterproof
- recharge : solar or sector
- autonomy : from 5 H. to 200 H.



intense Black and warm White

Solar lantern LAS noire



· use :
lanterns, terraces decoration, patios, lawns, ...

- presence detector
- epoxy paint finishing
- steel structure 15/10° mm
- Acryl satin or glass on demand
- dimensions : 245 x 245 x 495 mm



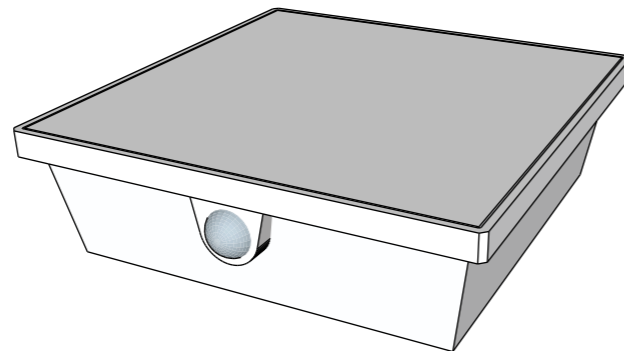
grey charcoal
(RAL 7021)

Corten rust

SOLAR BLOCK

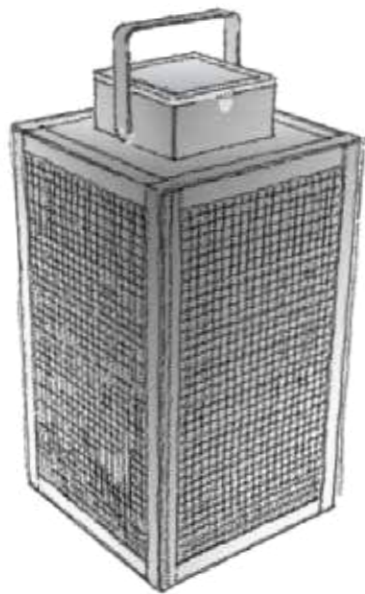
KYBSUN (KYB 010)

- 500 LUMENS
- 10 LED
- 3000° K. / warm white
- power : 3W
- adjustable intensity
- IP 55 waterproof
- recharge : solar or sector
- autonomy : from 5 H. to 200 H.



... drop shadows

Solar lantern LAS 500 frame



· use :
lanterns, terraces decoration, patios, lawns, ...

- presence detector
- epoxy paint finishing
- steel structure
- dimensions : 245 x 245 x 495 mm



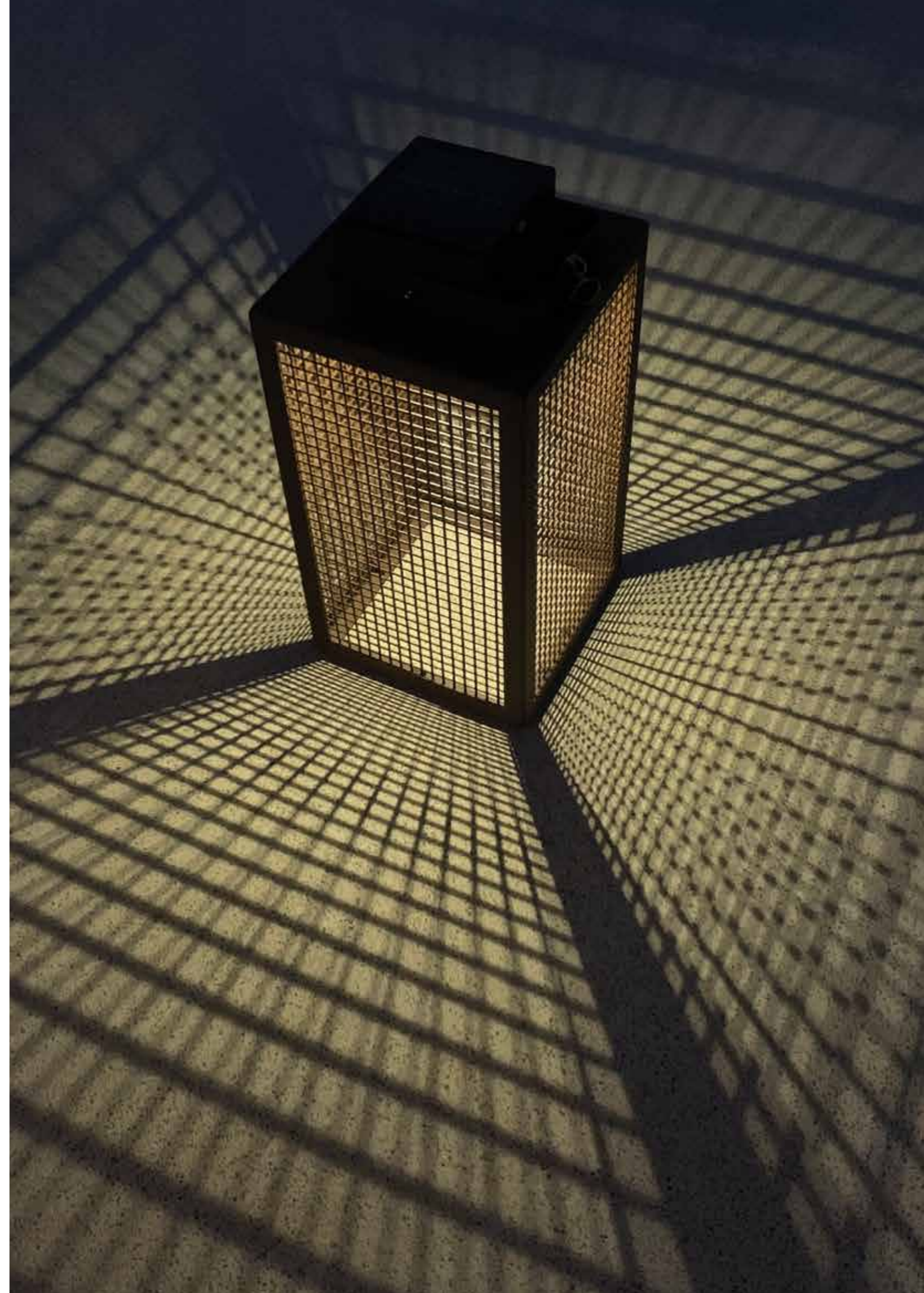
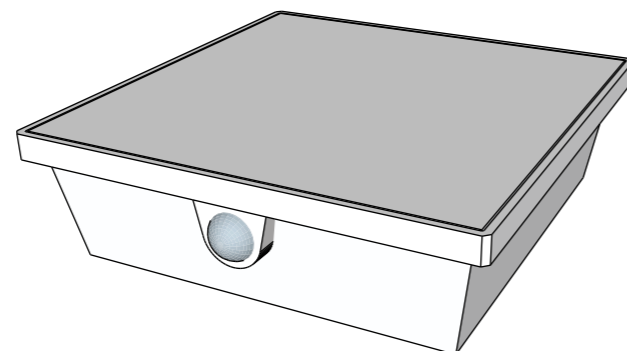
grey charcoal
(RAL 7021)

Corten rust

SOLAR BLOCK

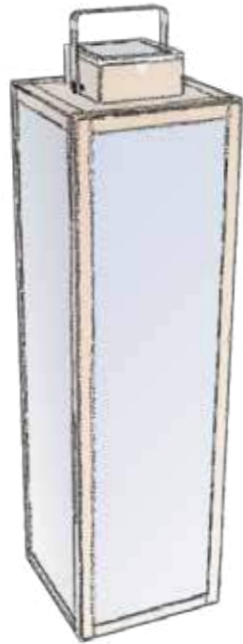
KYBSUN (KYB 010)

- 500 LUMENS
- 10 LED
- 3000° K. / warm white
- power : 3W
- adjustable intensity
- IP 55 waterproof
- recharge : solar or sector
- autonomy : from 5 H. to 200 H.



XL spirit

Solar lantern LAS 900



· use :
lanterns, terraces decoration, patios, lawns, ...

- presence detector
- epoxy paint finishing
- steel structure 15/10° mm
- Acryl satin or glass on demand
- dimensions : 245 x 245 x 895 mm



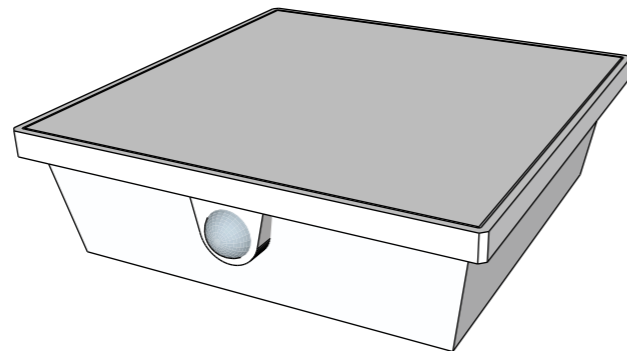
grey charcoal
(RAL 7021)

Corten rust

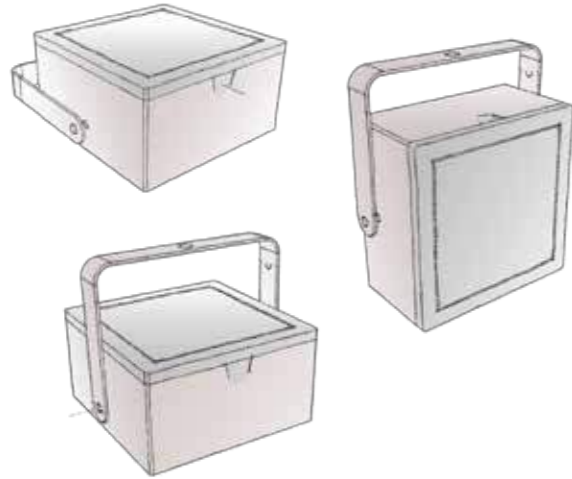
SOLAR BLOCK

KYBSUN (KYB 010)

- 500 LUMENS
- 10 LED
- 3000° K. / warm white
- power : 3W
- adjustable intensity
- IP 55 waterproof
- recharge : solar or sector
- autonomy : from 5 H. to 200 H.



to carry, to suspend, to mount
LYXY



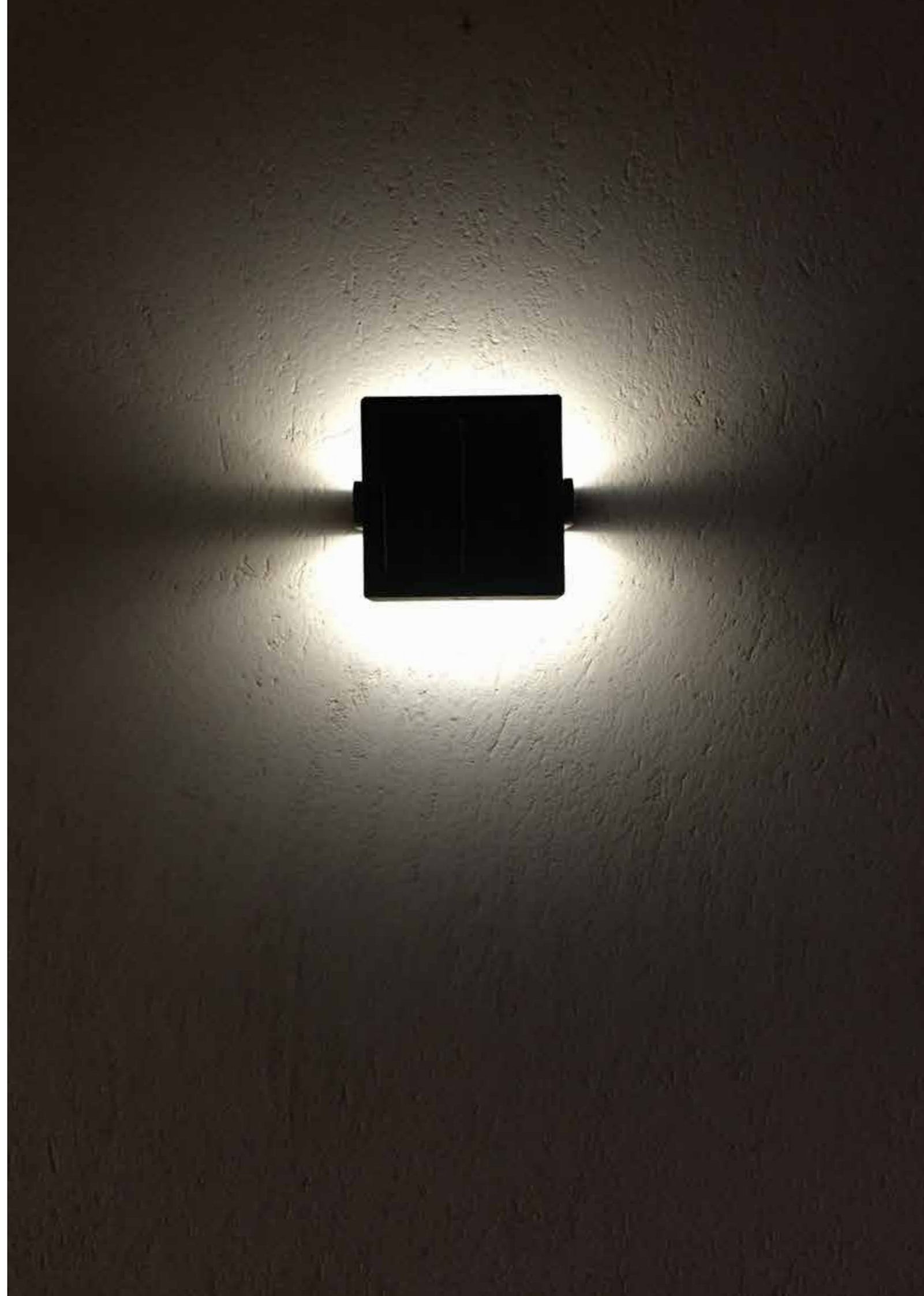
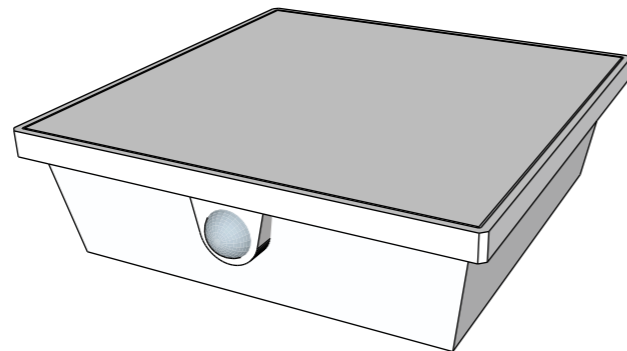
- use :
 - * lantern
 - * wall lamp, highlight a wall (South oriented)
 - * suspension, highlight tables, trees, ...
- presence detector
- steel structure 15/10° / polycarbonate diffuser
- epoxy paint finishing
- dimensions : 125 x 125 x 125 mm



grey charcoal
(RAL 7021)

Corten rust

- SOLAR BLOCK
KYBSUN (KYB 010)
- 500 LUMENS
 - 10 LED
 - 3000° K. / warm white
 - power : 3W
 - adjustable intensity
 - IP 55 waterproof
 - recharge : solar or sector
 - autonomy : from 5 H. to 200 H.



shadow and light
RING



· use :
lighting an entrance, a terrace, a balcony, ...

- presence detector
- sundial by day
- epoxy paint finishing
- dimensions : 500 x 250 x 125 mm



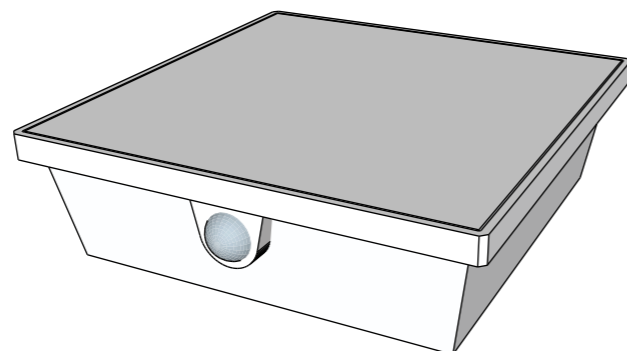
grey charcoal
(RAL 7021)

Corten rust

SOLAR BLOCK

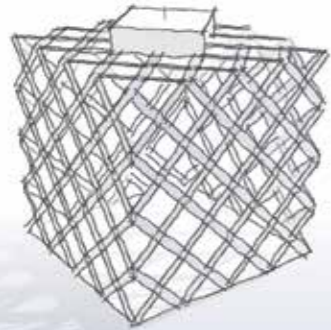
KYBSUN (KYB 010)

- 500 LUMENS
- 10 LED
- 3000° K. / warm white
- power : 3W
- adjustable intensity
- IP 55 waterproof
- recharge : solar or sector
- autonomy : from 5 H. to 200 H.



day shadow, night shadow

l'X



- use :
lighting entrance, terrace, balcony, ...
- presence detector
- epoxy paint finishing
- dimensions : 300 x 300 x 340 mm



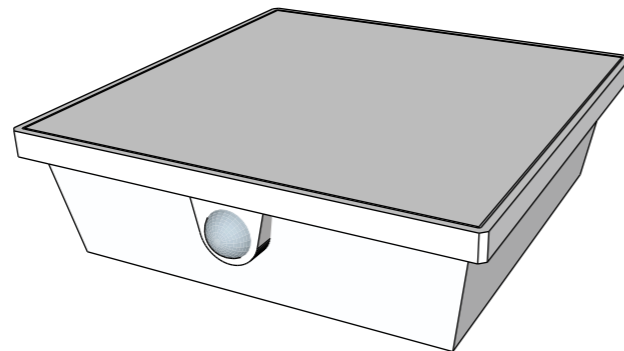
grey charcoal
(RAL 7021)

Corten rust

SOLAR BLOCK

KYBSUN (KYB 010)

- 500 LUMENS
- 10 LED
- 3000° K. / warm white
- power : 3W
- adjustable intensity
- IP 55 waterproof
- recharge : solar or sector
- autonomy : from 5 H. to 200 H.



*Autonomous
Collection*



autonomous table lamp

Plein cintre



· use :
lighting entrance, terrace, balcony, ...

· epoxy paint finishing
· dimensions : 120 x 120 x 190 mm

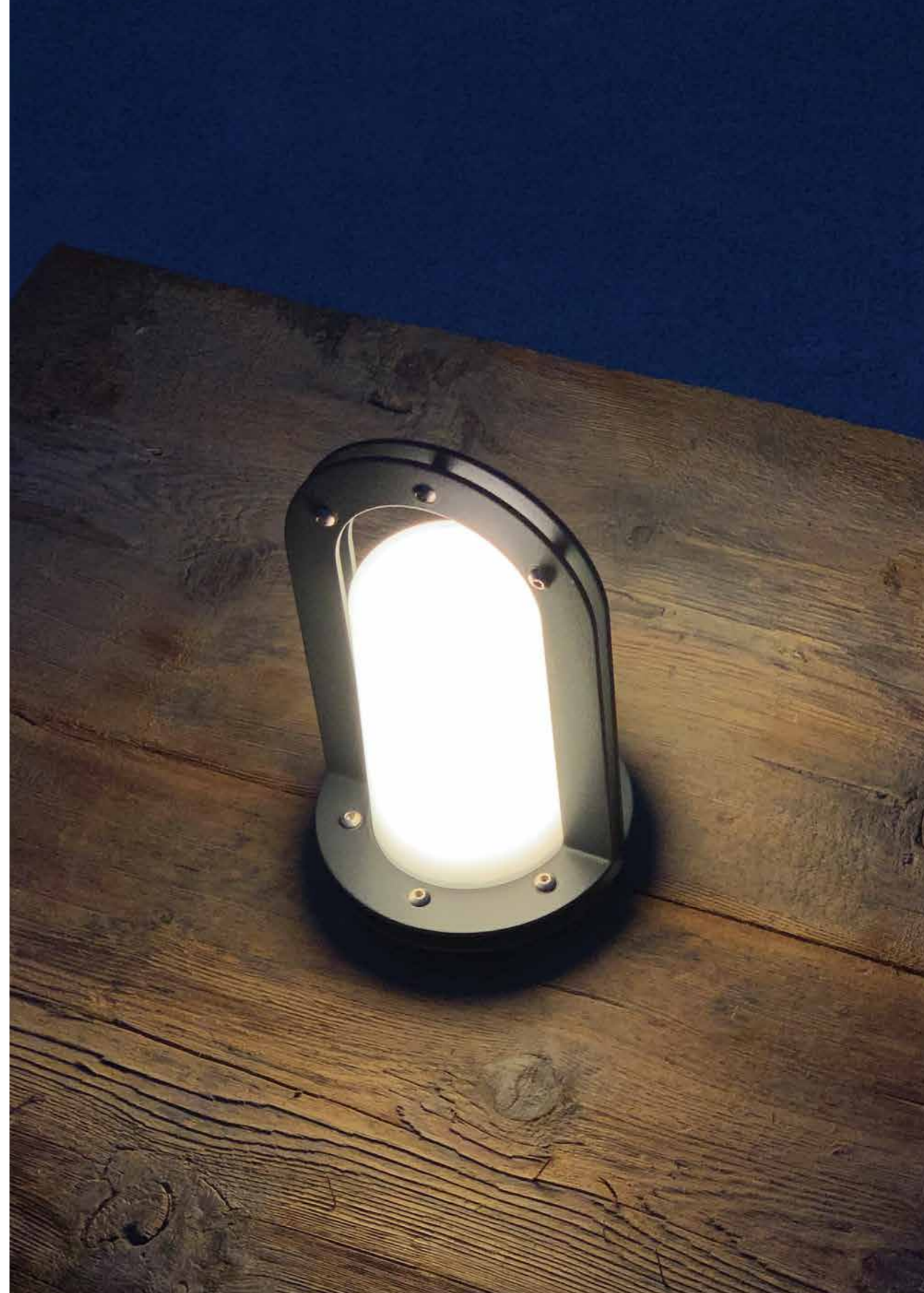


grey charcoal
(RAL 7021)

Corten rust

RECHARGEABLE / AUTONOMOUS LED LAMP

- 300 LUMENS
- 2700° K.
- 3 powers : 1W / 3W / 5W
- dimmable
- waterproof IP 54
- sector recharge
- autonomy : from 5H. to 25H.



day shadow, night shadow
Autonomous lantern l'X



- use :
lighting entrance, terrace, balcony, ...
- epoxy paint finishing
- dimensions : 300 x 300 x 300 mm



grey charcoal
(RAL 7021)

Corten rust

RECHARGEABLE / AUTONOMOUS LED LAMP

- 300 LUMENS
- 2700° K.
- 3 powers : 1W / 3W / 5W
- dimmable
- waterproof IP 54
- sector recharge
- autonomy : from 5H. to 25H.



light bringer

Autonomous lantern Boucle



- use :
lighting entrance, terrace, balcony, ...
- epoxy paint finishing
- dimensions : 180 x 120 x 300 mm



grey charcoal
(RAL 7021)

Corten rust

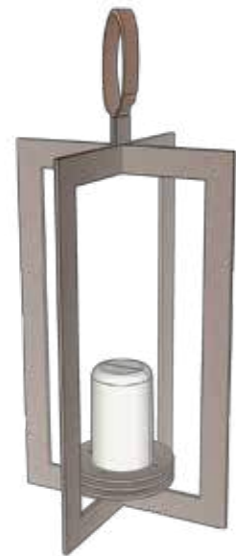
RECHARGEABLE / AUTONOMOUS LED LAMP

- 300 LUMENS
- 2700° K.
- 3 powers : 1W / 3W / 5W
- dimmable
- waterproof IP 54
- sector recharge
- autonomy : from 5H. to 25H.



Sense of refinement

Autonomous lantern Andrea



· use :
lighting entrance, terrace, balcony, ...

· epoxy paint finishing
· dimensions : 260 x 260 x 580 mm



grey charcoal
(RAL 7021)

Corten rust

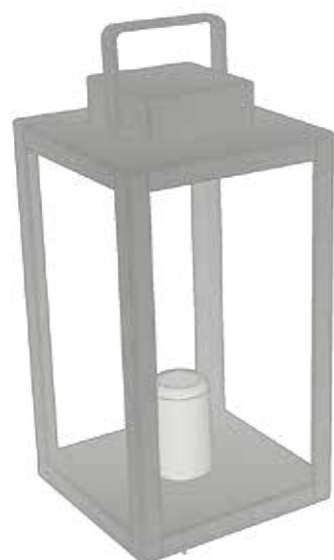
RECHARGEABLE / AUTONOMOUS LED LAMP

- 300 LUMENS
- 2700° K.
- 3 powers : 1W / 3W / 5W
- dimmable
- waterproof IP 54
- sector recharge
- autonomy : from 5H. to 25H.



autonomous and free

Autonomous lantern LAA 500



· use :
lighting entrance, terrace, balcony, ...

· epoxy paint finishing
· dimensions : 245 x 245 x 455 mm



grey charcoal
(RAL 7021)

Corten rust

RECHARGEABLE / AUTONOMOUS LED LAMP

- 300 LUMENS
- 2700° K.
- 3 powers : 1W / 3W / 5W
- dimmable
- waterproof IP 54
- sector recharge
- autonomy : from 5H. to 25H.



... In an effort to reduce our impact on the environment

The shipment of our lamps requires an important level of protection.

We manufacture dust covers in French linen that are fully redeemable and reusable.

Once returned, dust covers are reused to ship our products.

Our objective is to progressively eliminate the use of plastic in our activity.

LYX
LUMINAIRES

Housse de protection
CONSIGNÉE



Dust cover
REFUND VALUE



More information
on the refund value of our dust covers :
www.LYX-luminaires.com/NOTICES

Reused packaging

We also reuse wooden pallets and cartons
from our partners
to pack and ship our products.

LYX
LUMINAIRES

Emballage carton & palette en bois

RÉUTILISÉS



REUSED

Cardboard packaging & wooden pallet





www.LYX-luminaires.com